

# Intro. of **LOTES** Socket Development

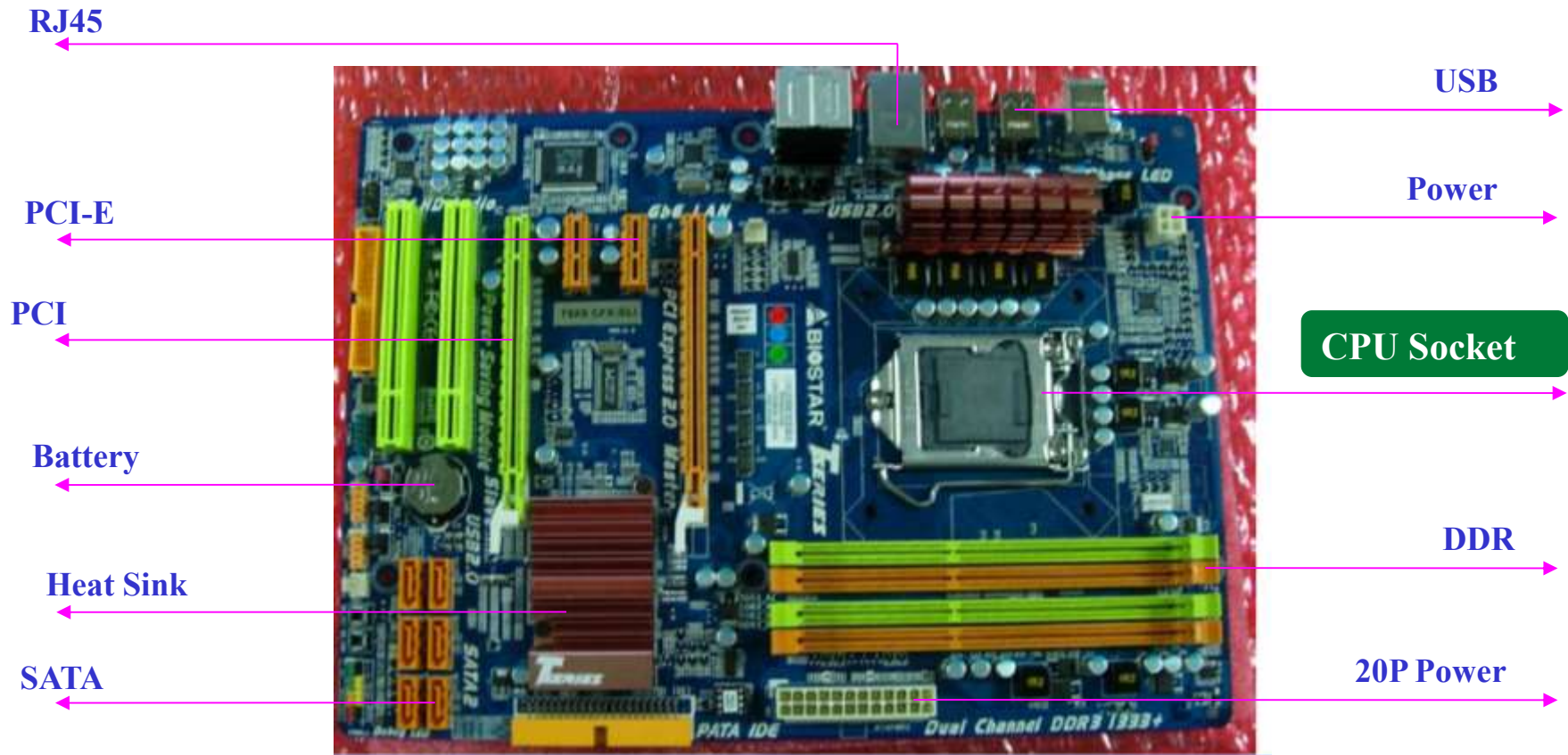
LOTES Socket Team  
2023-01-31

# **1.CPU SKT applications**

## **1. Socket Product Roadmap**

## **2. Socket Product Overview**

# Motherboard

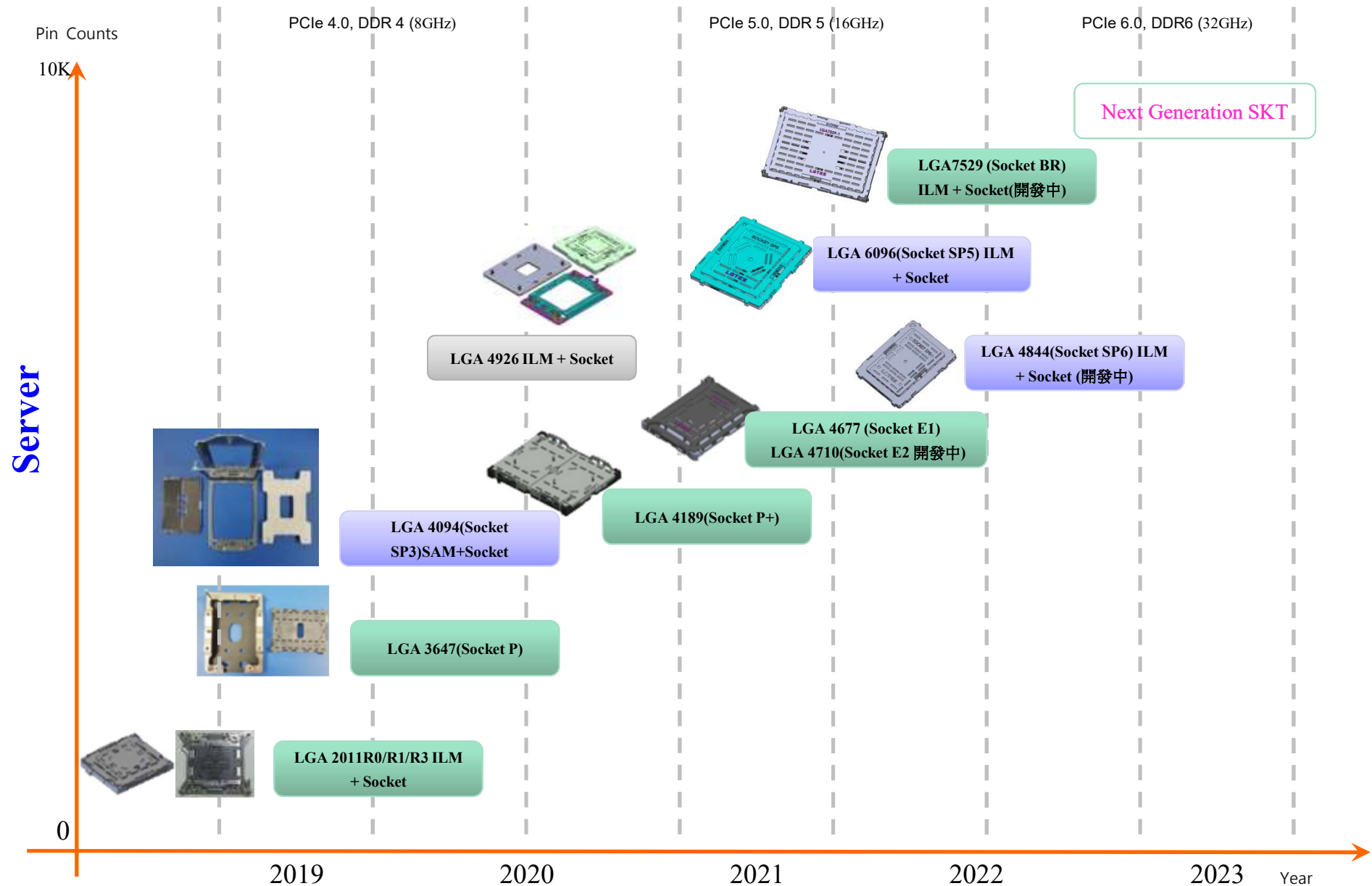


CPU Socket : Connections of CPU chip and PCB.

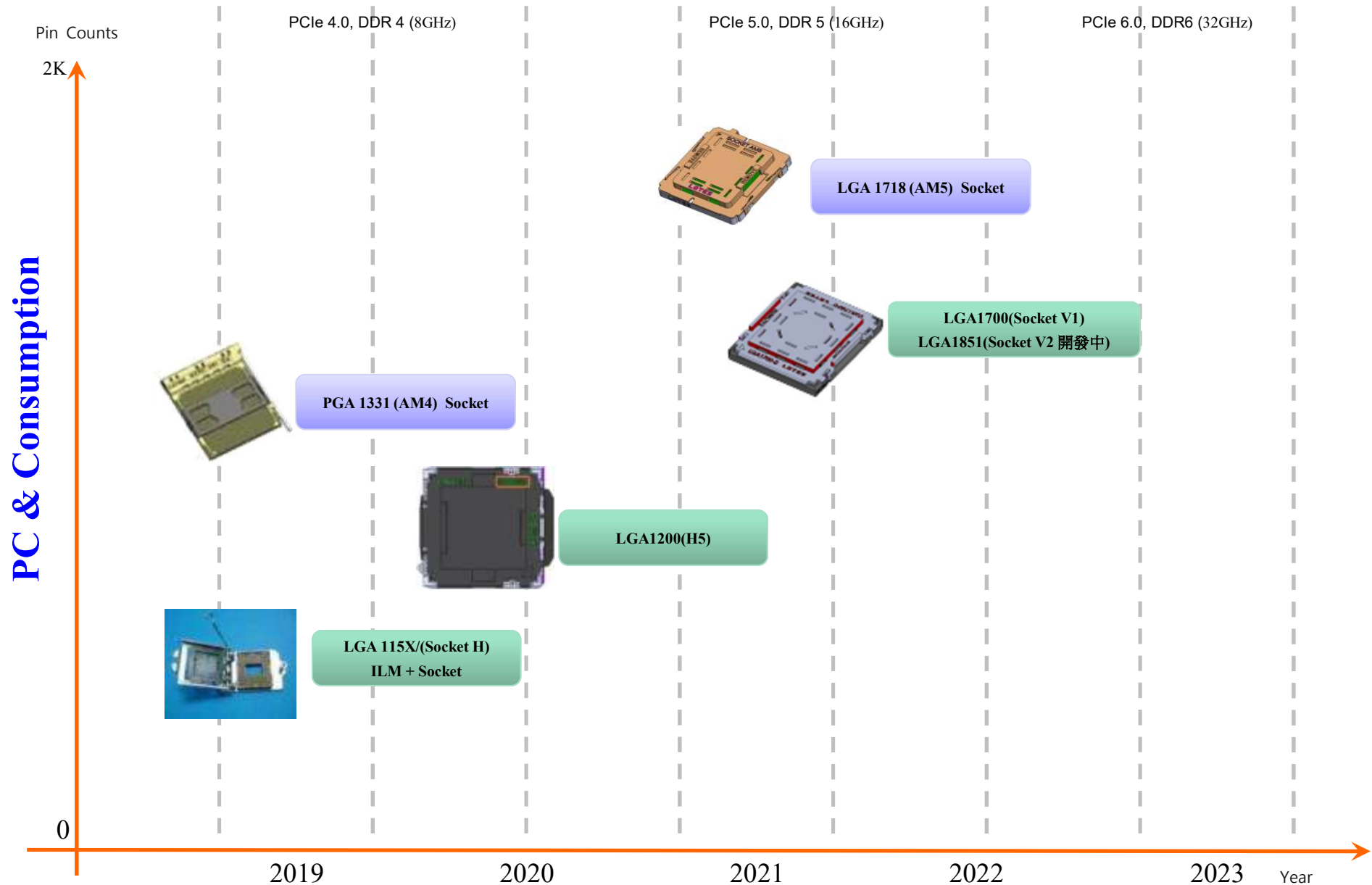
Applications : Server 、 Desktop 、 Notebook 、 Tablet.



**CPU Socket Server Family**



### CPU Socket Desktop/Notebook Family



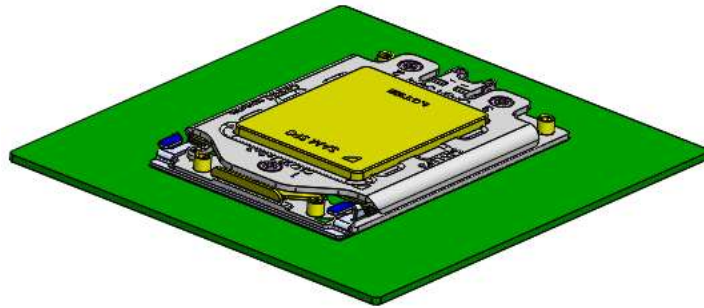
<b>Server List</b>	<b>Link</b>
Socket SP3 (LGA4094)	<a href="#">click</a>
Socket P0/P1 (LGA3647)	<a href="#">click</a>
Socket P4/P5 (LGA3647)	<a href="#">click</a>
Socket 4926	<a href="#">click</a>
Socket E (LGA4677)	<a href="#">click</a>
Socket SP5 (LGA6096)	<a href="#">click</a>
Socket E2 (LGA4710)	<a href="#">click</a>
Socket SP6 (LGA4844)	<a href="#">click</a>
Socket BR (LGA7529)	<a href="#">Click</a>

<b>PC &amp; Consumption List</b>	<b>Link</b>
Socket V (LGA1700)	<a href="#">click</a>
Socket H5 (LGA1200)	<a href="#">click</a>
Socket AM4 (LGA1331)	<a href="#">click</a>
Socket AM5 (LGA1718)	<a href="#">click</a>
Socket V1 (LGA1851)	<a href="#">click</a>

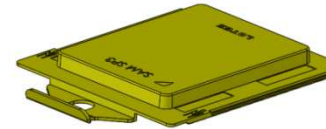


## SP3

Product Name: Socket SP3(LGA4094 Socket)



Assembly View



External Cap



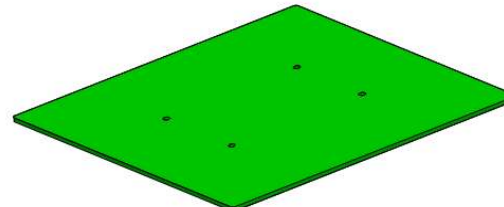
Carrier and CPU



SAM SP3



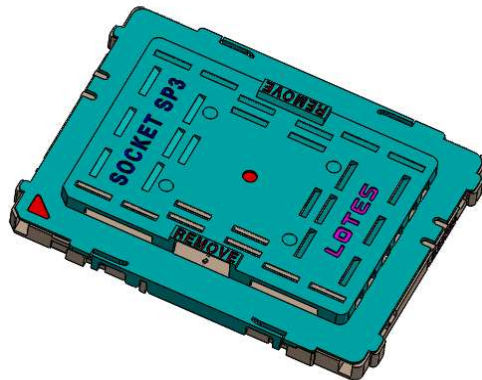
Socket (LGA-4094)



PCB



SP3 Back Plate



LGA4094 Socket



**Application:**

- Sever



**Features:**

- Solder Ball, SMT Soldering
- Land Grid Array at Contract Side

**Specification:**

**Mechanical:**

- Pitch: 1.0mm × 0.87mm
- Contact Count: 4094 Pins
- Durability: 50 Cycles

**Electrical:**

- Current Rating: signal application only 1.4A Max per individual contact
- LLCR: Max. 25mΩ (Initial)  
Max. 25mΩ (Final)

**Physical:**

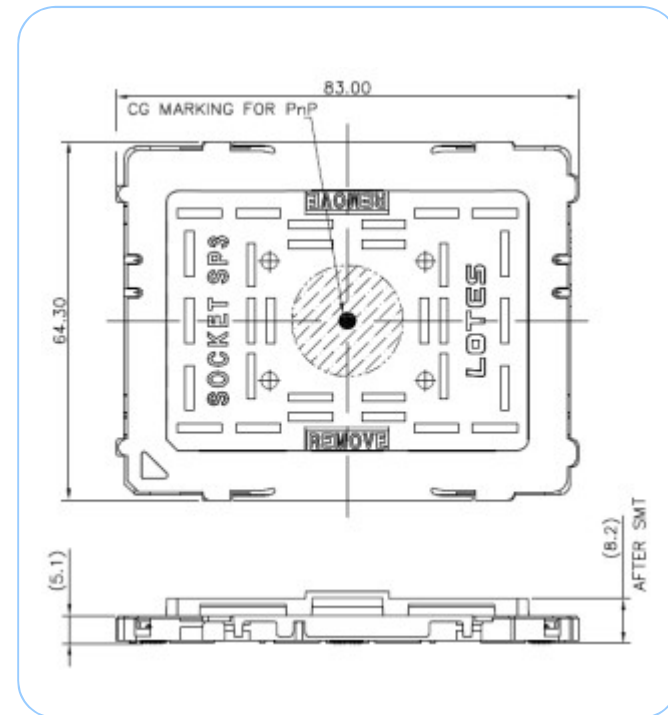
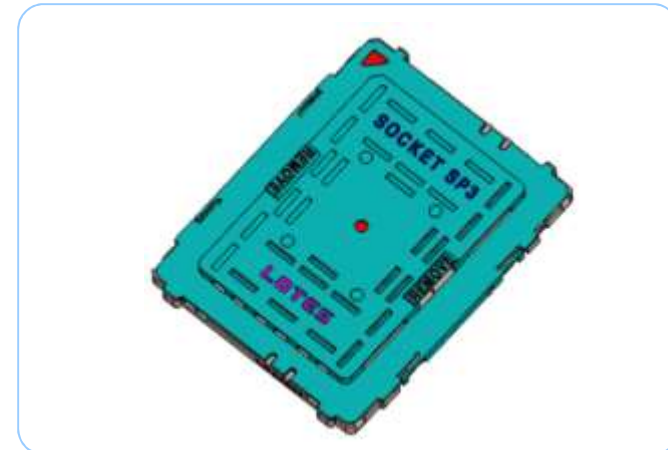
- Housing: LCP, Black, UL 94V-0
- Contact: Copper alloy
- Cover: LCP, Black
- Solder Ball: Sn/Ag/Cu
- Plating: Min. 30u"gold plating on contact area
- Operating Temperature: -50°C~110°C

**Packaging:**

- Tray

**Order Information:**

- CPU Socket: AZIFS001-P00\*



**Application:**

- Sever



**Features:**

- SP3 SAM for AMD

**Specification:**

**Mechanical:**

- Assembly torque:(16±1kgf·cm),Confirm collar is fully seated on PCB
- Sam loading force:95kgf·cm Min.

**Physical :**

- Force frame:stainless steel
- External cap:plastic pc nature
- Rail frame assy:pa66 black+stainless steel,print blue ink
- Rail frame hinge clevis:stainless steel
- Stiffener frame insulator:thermoplastic,vtm-0,black
- Stiffener frame:stainless steel
- Stiffener frame captive collar:stainless steel
- Force frame hinge clevis:stainless steel
- Force frame captive collar:stainless steel
- External cap label:yellow silicone paper

**Environment :**

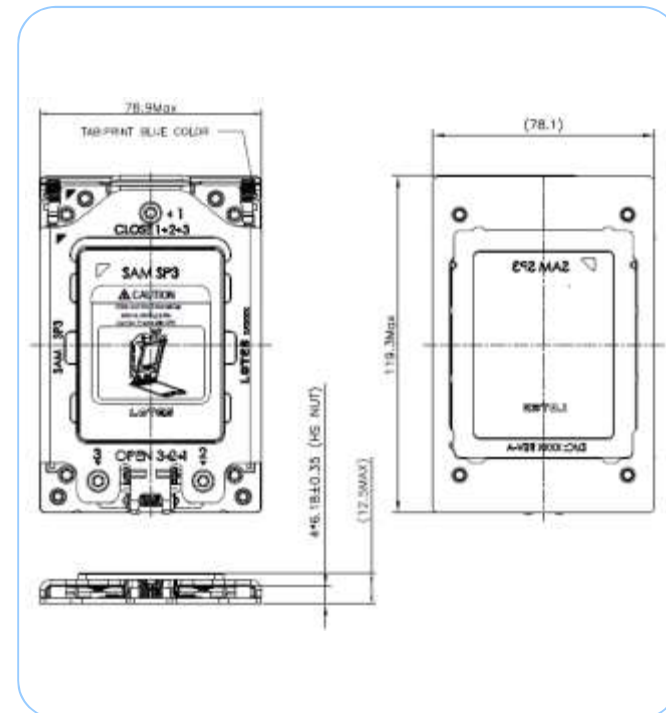
- Operating Temperature:-25°C~100°C
- Continuous Temperature:0°C~85°C
- HF Compliant

**Packaging:**

- Tray

**Order Information:**

- AZIFS018-P001C



**Application:**

- Sever

**Features:**

- SP3 BP for AMD

**Specification:**

**Mechanical:**

- Assembly torque:( $16 \pm 1$ kgf·cm),Confirm collar is fully seated on PCB
- Stud push out force : > 800N

**Physical :**

- Back plate:Carbon steel & Equivalent Ni-Plating
- Back plate Stud:Stainless Steel
- Back plate Insulator:PC & Equivalent,VTM-0 Black

**Environment :**

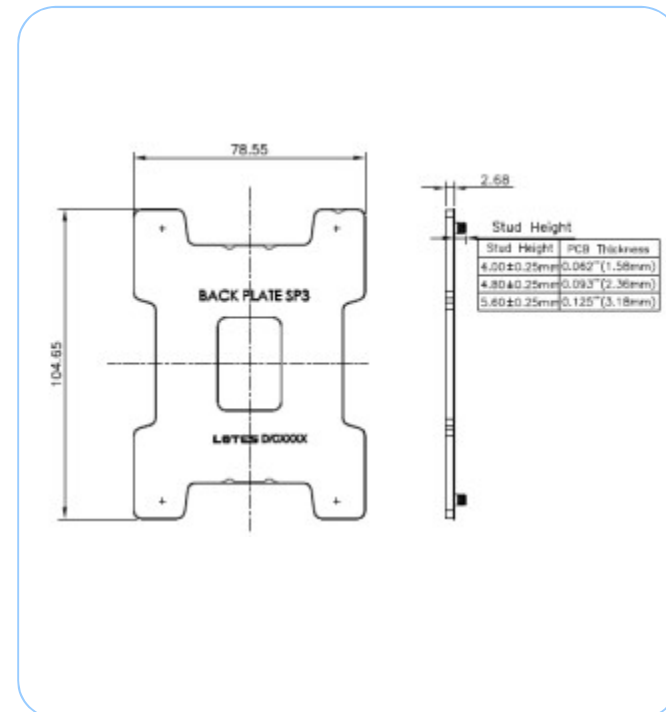
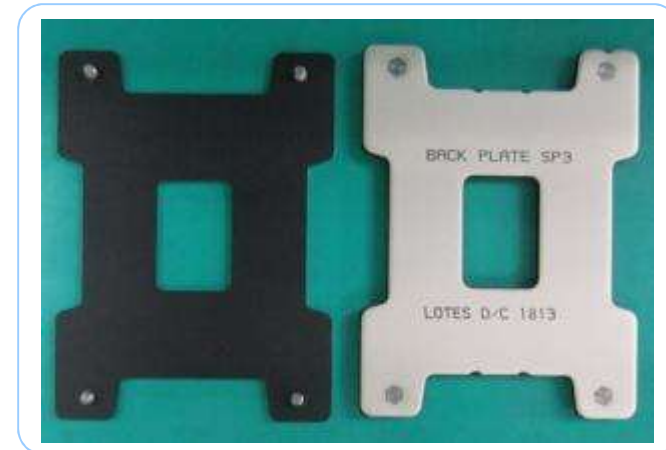
- Operating Temperature:-25°C~100°C
- Continuous Temperature:0°C~85°C
- HF Compliant

**Packaging:**

- Tray

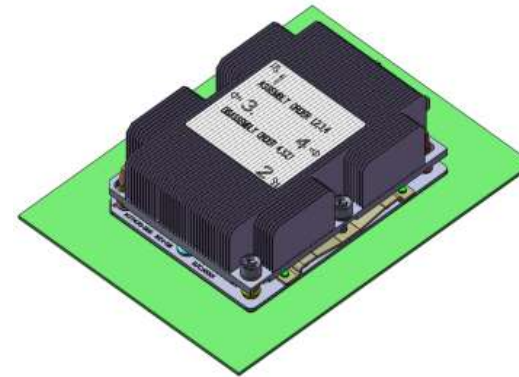
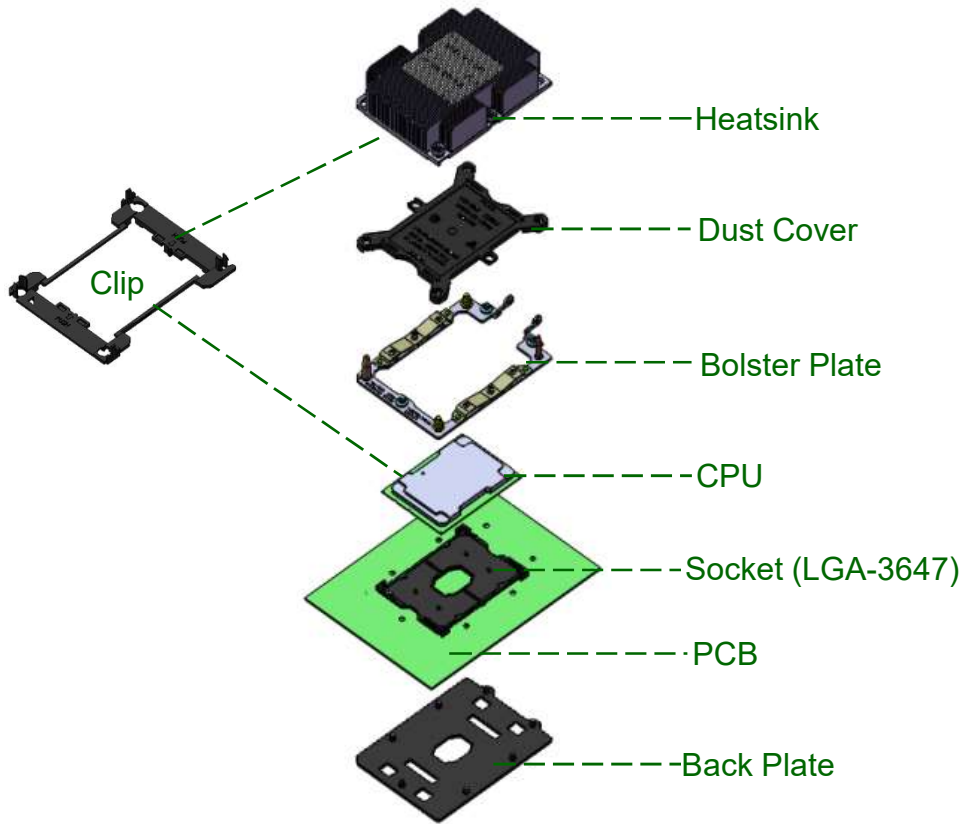
**Order Information:**

- AHSKS001-P001C
- AHSKS001-P002C
- AHSKS001-P003C

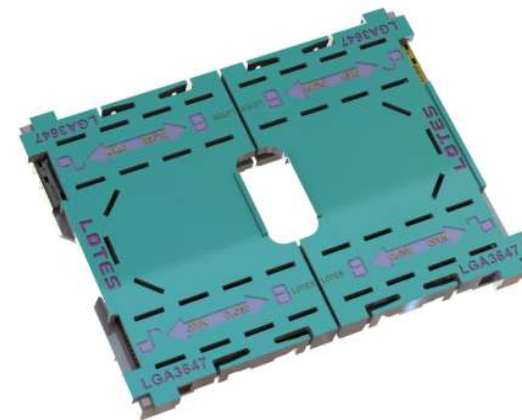


# SKT P0/P1

Product Name: Socket P0/P1(LGA3647 Socket)



Module Assembly



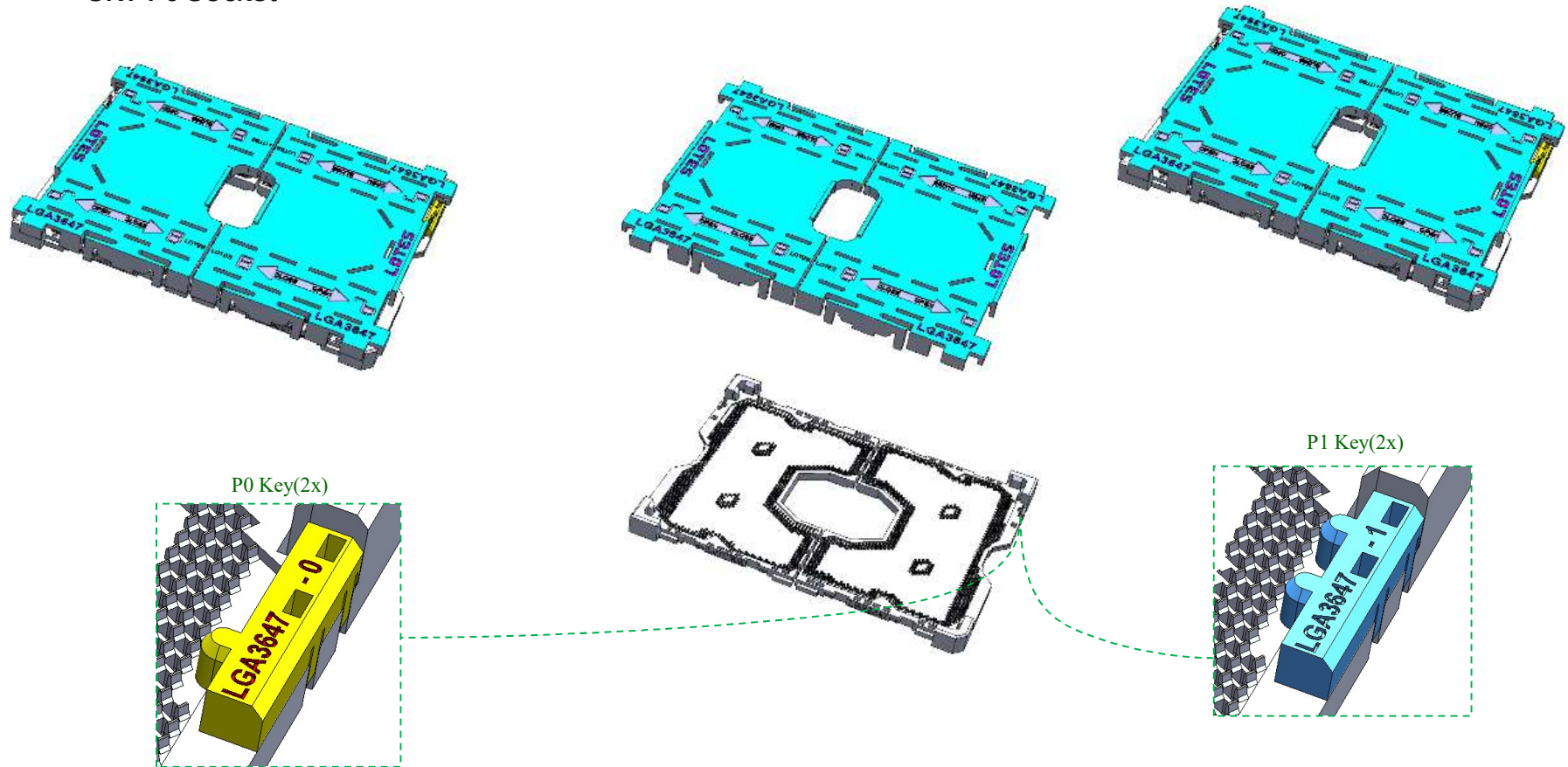
LGA3647 SKT

## SKT P0/P1

SKT P0 Socket

SKT P1 Socket

SKT P0 Socket





**Application:**

- Sever



**Features:**

- Solder Ball, SMT Soldering
- Land Grid Array at Contact Side

**Specification:**

**Mechanical:**

- Pitch: 0.8585mm (X) x 0.9906mm (Y)
- Contact Count: 3647 Pins
- Durability: 30 Cycles

**Electrical:**

- Current Rating: 1A Max. per pin
- Contact Resistance: 23 milli-ohm Max. (Initial & Final)

**Physical:**

- Housing: LCP, Black, UL 94V-0
- Contact: Copper alloy
- PnP Cover: LCP, Black
- Solder Ball: Sn/Ag/Cu
- Plating: Min. 30u" gold plating on contact area
- Operating Temperature: -25°C~100°C

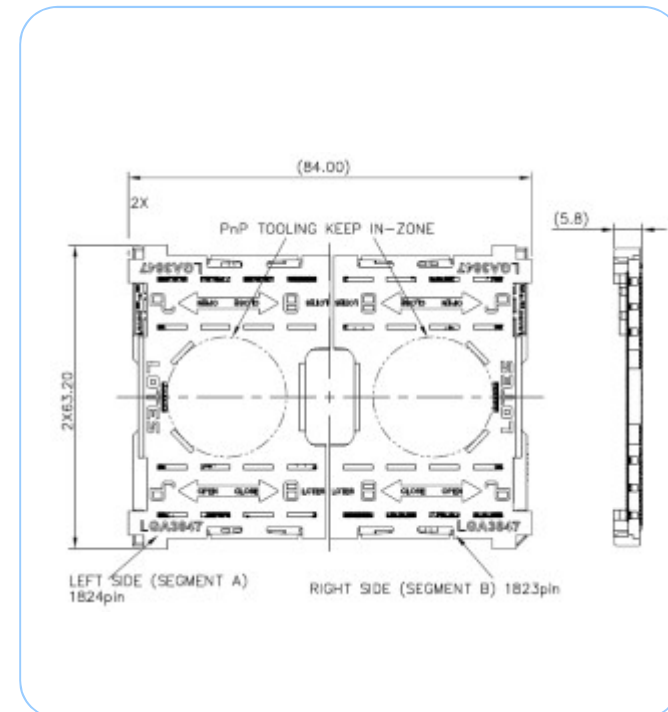
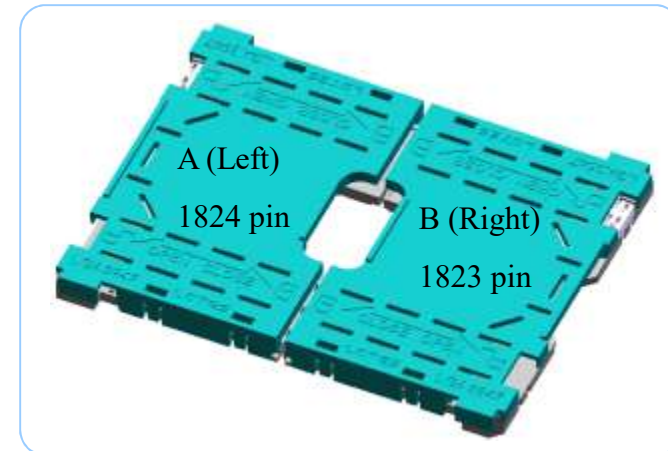
**Packaging:**

- Hard tray

**Order Information:**

- CPU Socket: See below part number table

Platform	Part P/N	Descriptions
Socket P0	AZIFS007-P002C	LGA3647-0 Skt_ Left_Black(A 1824)_30u"
	AZIFS008-P002C	LGA3647-0 Skt_ Right_Yellow(B 1823)_30u"
Socket P1	AZIFS010-P002C	LGA3647-1 Skt_ Left_Black( A 1824)_30u"
	AZIFS011-P002C	LGA3647-1 Skt_ Right_White(B 1823)_30u"



**Application:**

- Sever



**Features:**

- Socket P0 TFLM (LGA 3647)

**Specification:**

**Mechanical:**

- Assembly torque: 0.8~1N-m (7~9 in-lbs)

**Physical :**

- P0 Bolster plate: Stainless steel
- P0 Bolster Insulator: Thermoplastic, VTM-0,Black
- Captive Nut: Carbon steel,Nickel plating
- Captive Nut Collar: Carbon steel,Nickel plating
- Large Guide Post:Stainless steel
- Small Guide Post:Stainless steel
- Spring Rivet:Stainless steel
- Corner Standoff: Stainless steel
- Spring Stud:Stainless steel
- Spring: Stainless steel
- Dust Cover: PC+ABS BLACK
- Back Plate:Carbon steel,Nickel plating
- Back Plate Stud:Stainless steel
- Back Plate Insulator:Thermoplastic, VTM-0,Black

**Environment :**

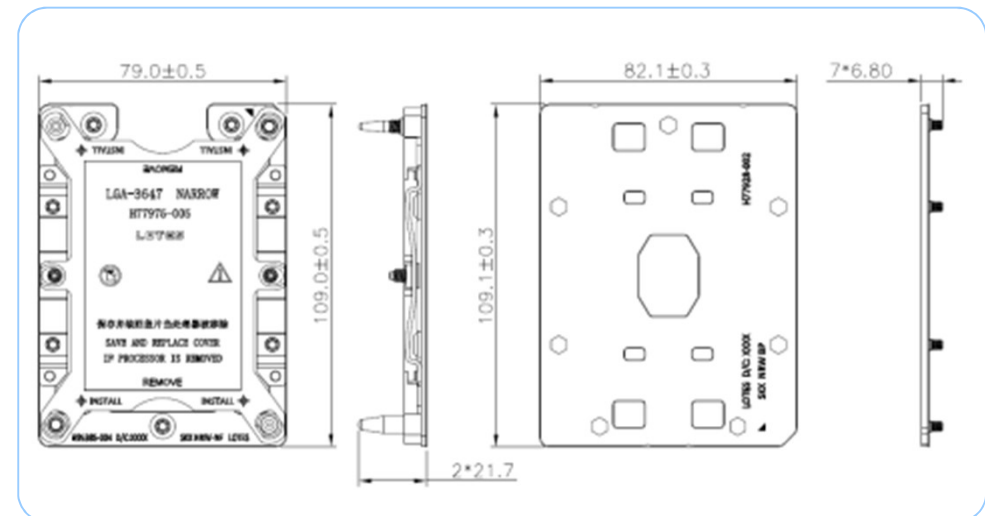
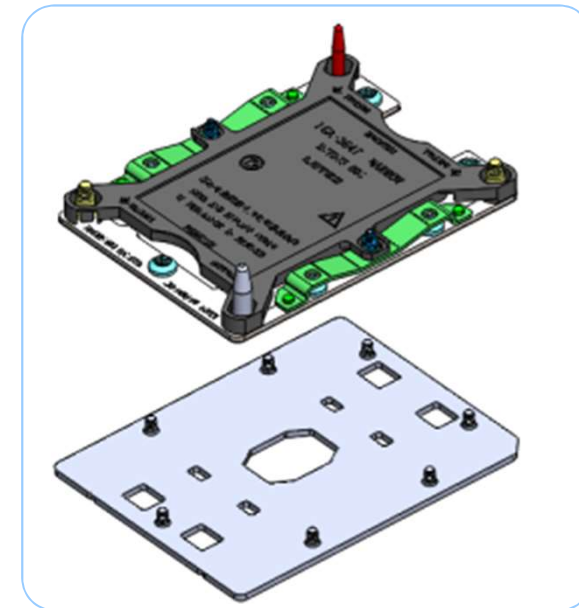
- Operating Temperature: -25°C~100°C
- Continuous Temperature: 0°C to 85°C
- HF Compliant

**Packaging:**

- Tray

**Order Information:**

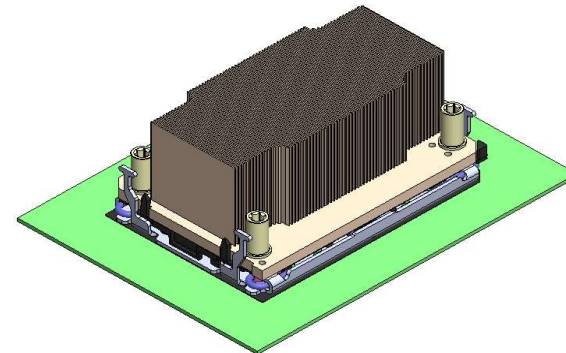
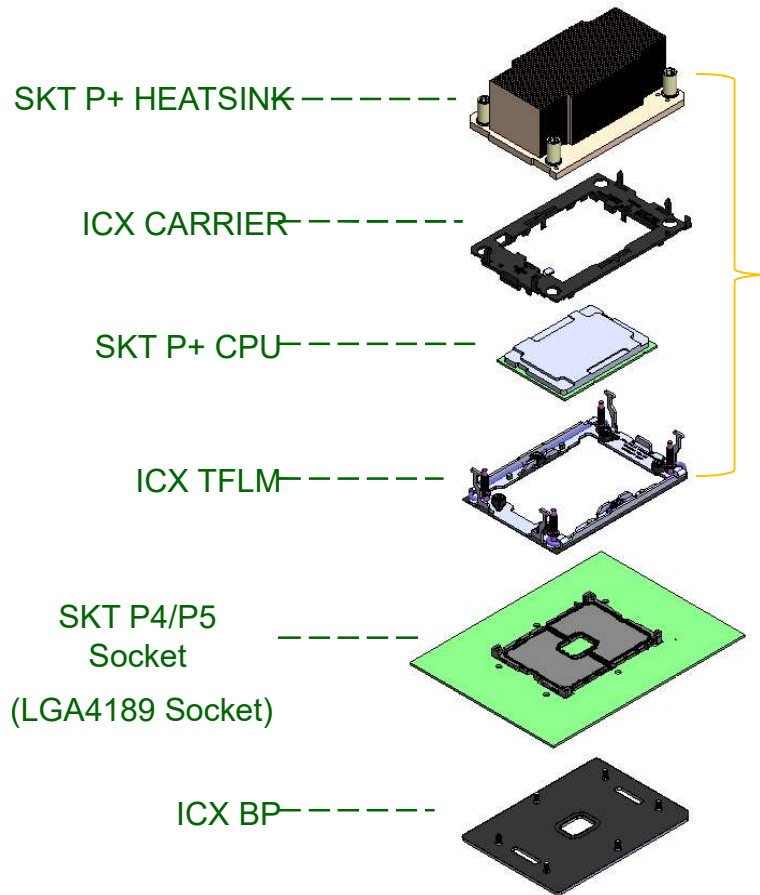
- AZIF0113-P002C



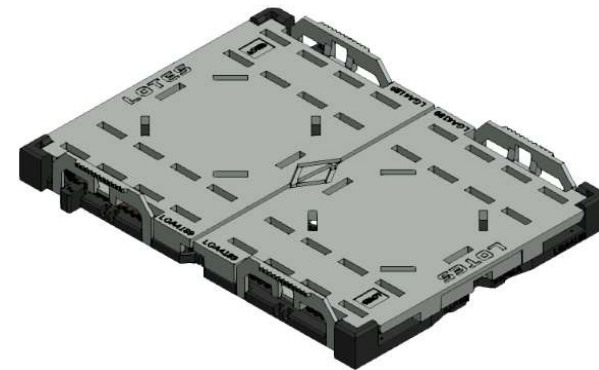


# SKT P4/P5

Product Name: Socket P4/P5(LGA3647 Socket)



**Module Assembly**

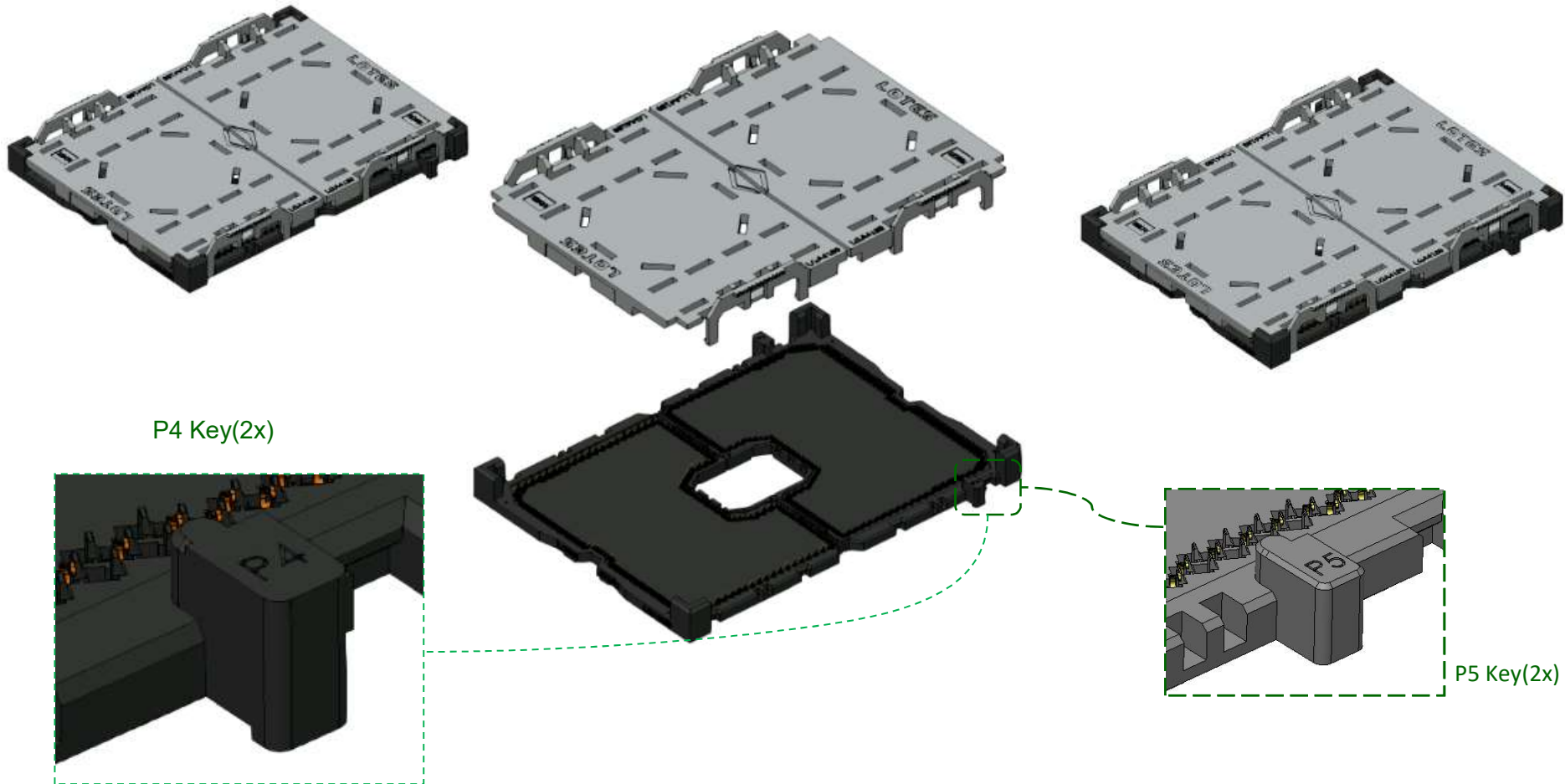


**LGA4189 SKT**

# SKT P4/P5

SKT P4 Socket

SKT P5 Socket



**Application:**

- Sever



**Features:**

- Solder Ball, SMT Soldering
- Land Grid Array at Contract Side

**Specification:**

**Mechanical:**

- Pitch: 0.8585mm (X) x 0.9906mm (Y)
- Contact Count: 4189 Pins
- Durability: 30 Cycles

**Electrical:**

- Current Rating: 1A Max. per pin
- Contact Resistance: 23 milli-ohm Max. (Initial & Final)

**Physical:**

- Housing: LCP, Black, UL 94V-0
- Contact: Copper alloy
- PnP Cover: LCP, Gray
- Solder Ball: Sn/Ag/Cu
- Plating: Min. 15u" or 30u" gold plating on contact area
- Operating Temperature: -25°C ~ 100°C

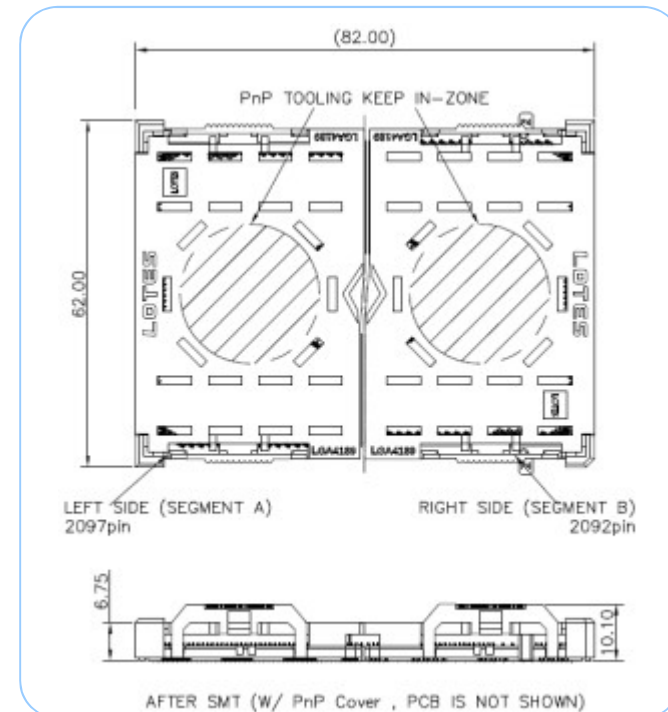
**Packaging:**

- Hard tray

**Order Information:**

- CPU Socket: See below part number table

Platform	Part P/N	Descriptions
Socket P4	AZIFS031-P00*C	Right 2092 Pins with Key; 15u" or 30u"
	AZIFS032-P00*C	Left 2097 Pins; 15u" or 30u"
Socket P5	AZIFS036-P00*C	Right 2092 Pins with Key; 15u" or 30u"
	AZIFS037-P00*C	Left 2097 Pins; 15u" or 30u"



**Application:**

- Sever



**Features:**

- Socket P4 TFLM (LGA 4189-4)

**Specification:**

**Mechanical:**

- Assembly torque: 0.8~1N-m (7~9 in-lbs)

**Physical :**

- P4 Bolster plate:Stainless steel
- P4 Bolster Insulator: Thermoplastic, VTM-0,Black
- Stop Pin:Stainless steel
- P4 Nut-cap:PC+ABS,UL94V-0,Black
- Spring-1:Music-wire, Nickel plating
- Spring Stud:Stainless steel
- P4 Nut-cap, Side:PC+ABS,UL94V-0,Black
- Spring-2:Music-wire, Nickel plating
- M3-Nut: Carbon steel, Nickel plating

**Environment :**

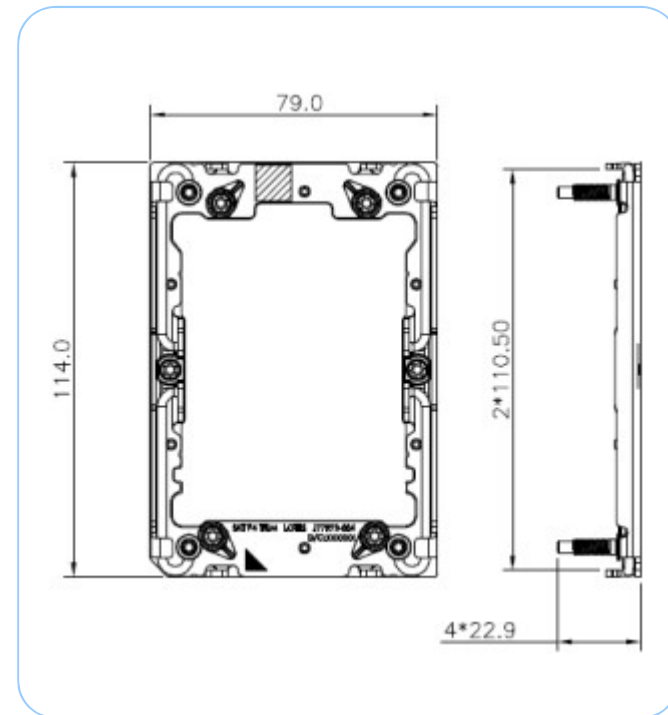
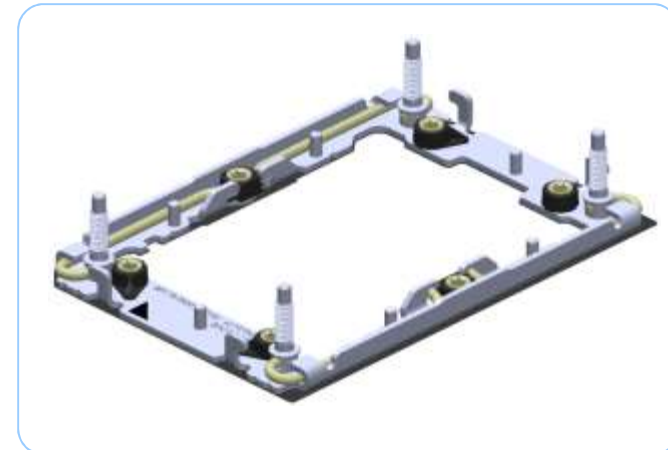
- Operating Temperature: -25°C~100°C
- Continuous Temperature: 0°C to 85°C
- HF Compliant

**Packaging:**

- Tray

**Order Information:**

- AZIF0166-P002C



**Application:**

- Sever



**Features:**

- Socket P5 TFLM (LGA 4189-5)

**Specification:**

**Mechanical:**

- Assembly torque:0.8~1N-m (7~9 in-lbs)

**Physical :**

- P5 Bolster plate:Stainless steel
- P5 Bolster Insulator: Thermoplastic, VTM-0,Black
- Stop Pin:Stainless steel
- P5 Nut-cap:PC+ABS,UL94V-0,Gray
- Spring-1: Music-wire, Nickel plating
- Spring Stud:Stainless steel
- P5 Nut-cap, Side:PC+ABS,UL94V-0,Gray
- Spring-2:Music-wire, Nickel plating
- M3-Nut: Carbon steel, Nickel plating

**Environment :**

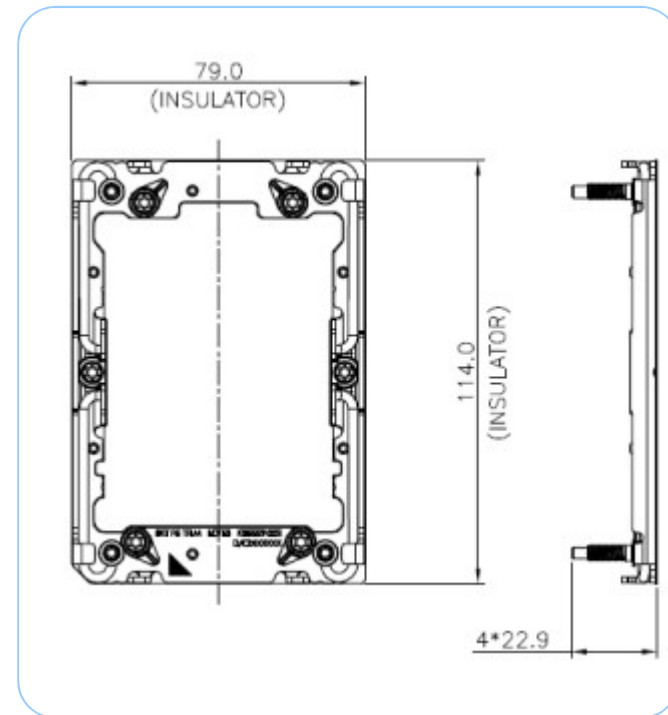
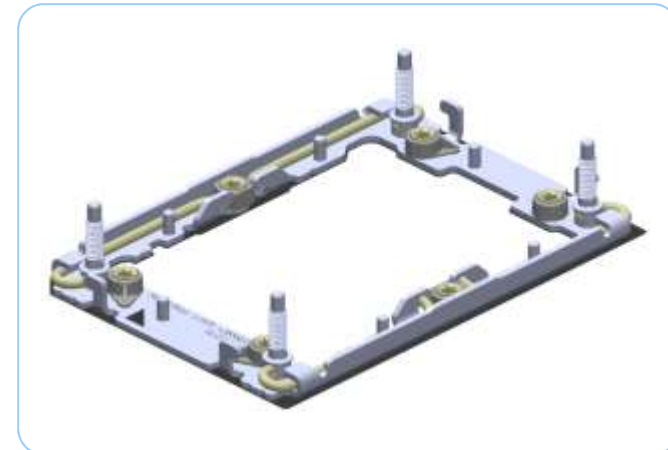
- Operating Temperature: -25°C~100°C
- Continuous Temperature: 0°C to 85°C
- HF Compliant

**Packaging:**

- Tray

**Order Information:**

- AZIF0182-P001C



**Application:**

- Sever



**Features:**

- ICX BP(LGA 4189)

**Specification:**

**Mechanical:**

- Assembly torque: 0.8~1N-m (7~9 in-lbs)

**Physical :**

- ICX Back plate: Carbon steel, Nickel plating
- ICX M3 BP Stud(8.30mm): Stainless steel
- ICX BP Insulator: Thermoplastic, VTM-0,Black
- ICX BP Extra Insulator: Thermoplastic, VTM-0,Black

**Environment :**

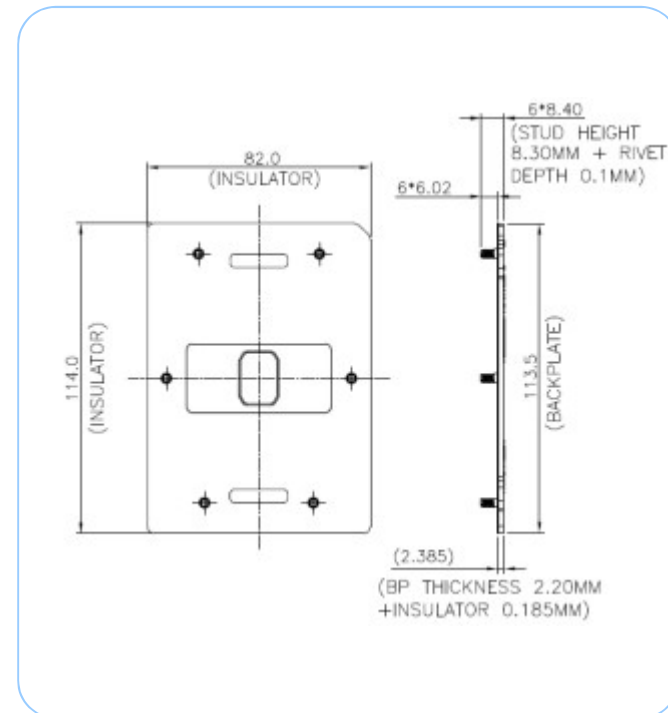
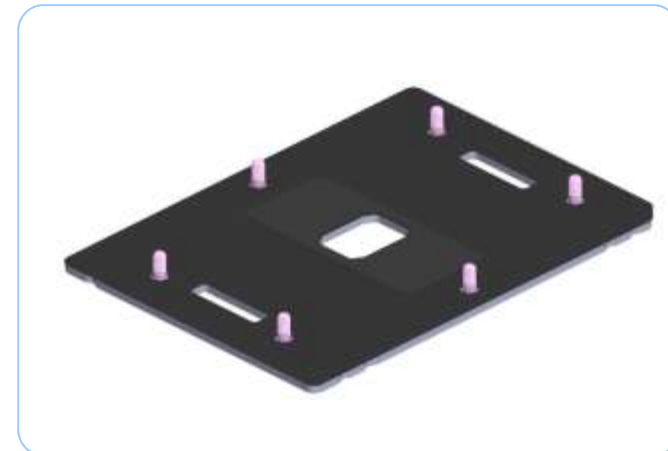
- Operating Temperature:-25°C~100°C
- Continuous Temperature: 0°C to 85°C
- HF Compliant

**Packaging:**

- Tray

**Order Information:**

- AHSK0031-P002C
- PCB thickness(1.42-2.79mm)





**Application:**

- Sever

**Features:**

- ICX BP(LGA 4189)

**Specification:**

**Mechanical:**

- Assembly torque: 0.8~1N-m (7~9 in-lbs)

**Physical :**

- ICX Back plate: Carbon steel, Nickel plating
- ICX M3 BP Stud(9.40mm): Stainless steel
- ICX BP Insulator: Thermoplastic, VTM-0,Black
- ICX BP Extra Insulator: Thermoplastic, VTM-0,Black

**Environment :**

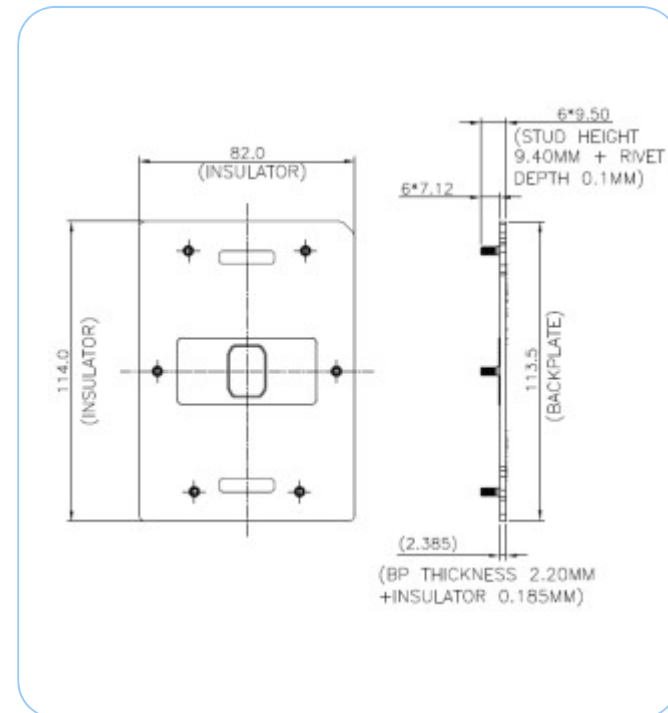
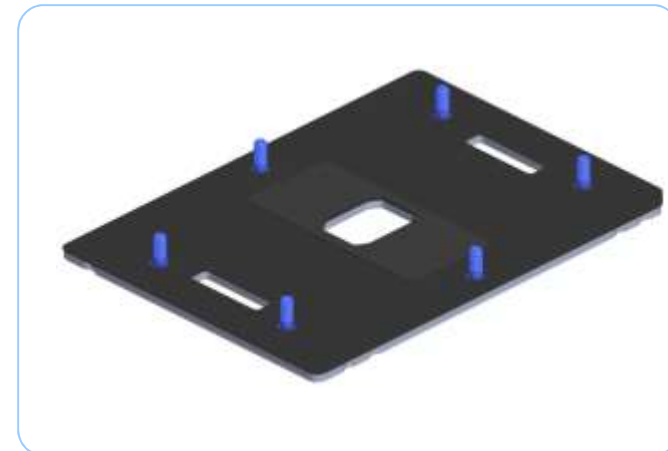
- Operating Temperature: -25°C~100°C
- Continuous Temperature: 0°C to 85°C
- HF Compliant

**Packaging:**

- Tray

**Order Information:**

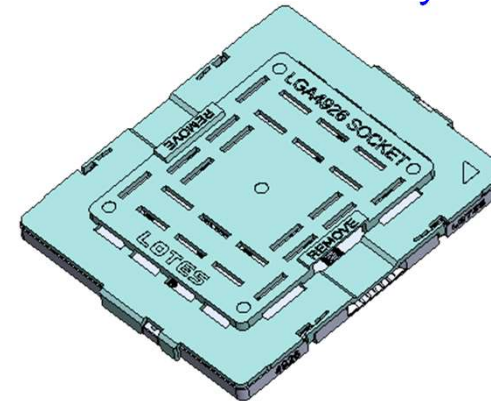
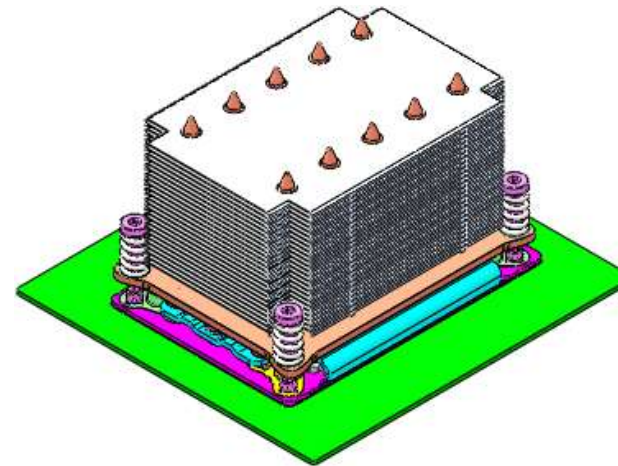
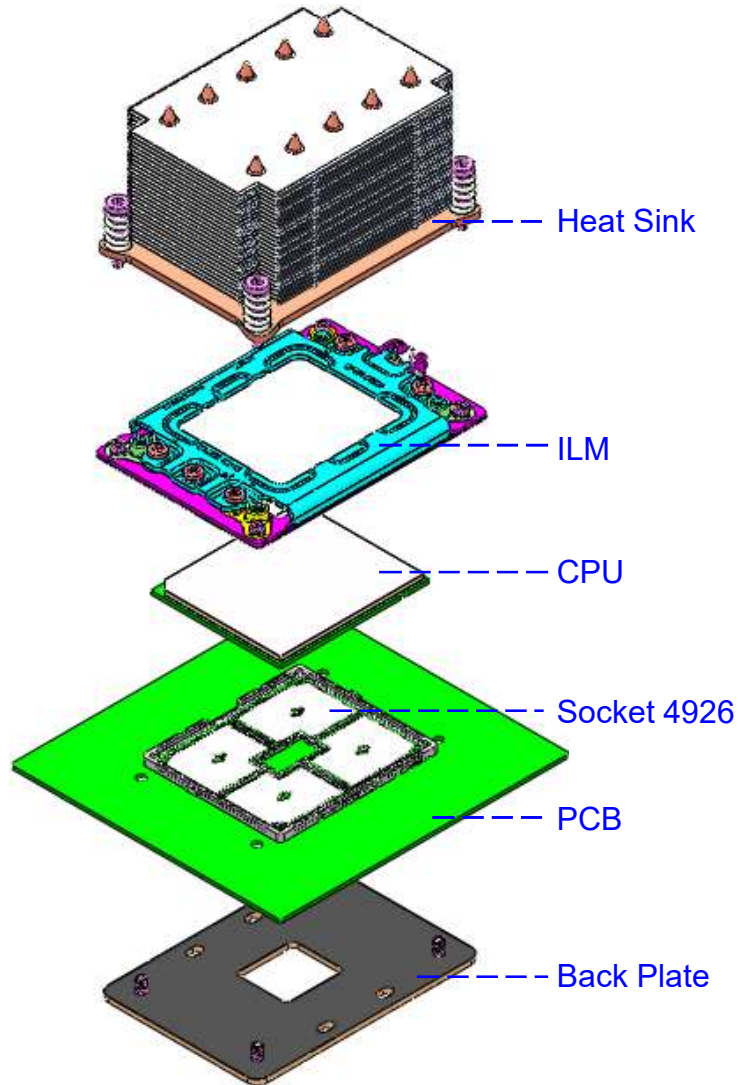
- AHSK0042-P001C
- PCB thickness(2.79-3.94mm)





# SKT 4926

Product Name: Socket 4926



**Application:**

- Sever

**Features:**

- Solder Ball , SMT Soldering
- Land Grid Array at Contact Side

**Specification:**

**Mechanical:**

- Pitch: 0.87mm (X) x 1.0mm (Y)
- Contact count: 4926 Pins.
- Durability: 30 Cycles

**Electrical:**

- Current Rating: 1.5A max. per pin
- Contact Resistance(Average): 27mOhm max.
- High frequency : 28GHz

**Physical:**

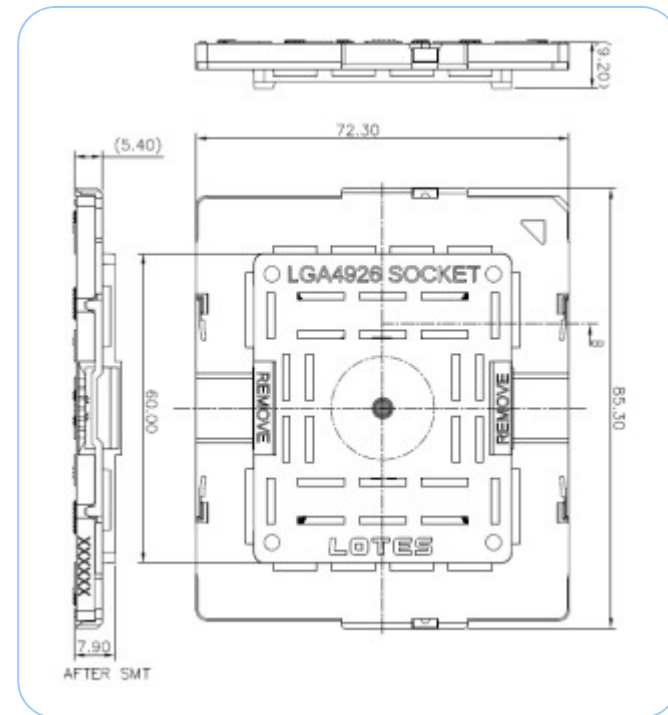
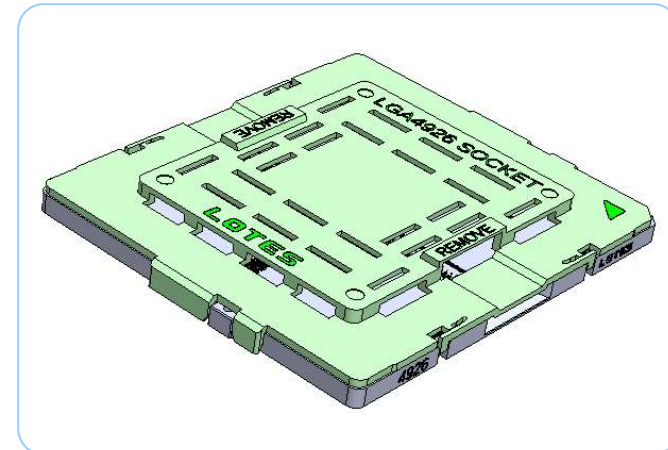
- Housing: LCP, Black, UL 94V-0
- Contact: Copper alloy
- Solder ball: SnAgCu
- PnP cover: LCP, Gray
- Plating on contact area: 30u"min. Au plating
- Operating Temperature: -25°C to +100°C

**Packaging:**

- Hard tray

**Order Information:**

- CPU Socket:AZIFS042-P00\*



### Application:

- Sever

### Features:

- SKT 4926 ILM

### Specification:

#### Mechanical:

- Assembly torque:  $(16 \pm 1 \text{ kgf} \cdot \text{cm})$ , Confirm collar is fully seated on PCB
- Sam loading force:  $95 \text{ kgf} \cdot \text{cm Min.}$

#### Electrical:

- Operating Temperature:  $-25^{\circ}\text{C} \sim 100^{\circ}\text{C}$
- Continuous Temperature:  $0^{\circ}\text{C} \sim 85^{\circ}\text{C}$
- HF Compliant

#### Physical:

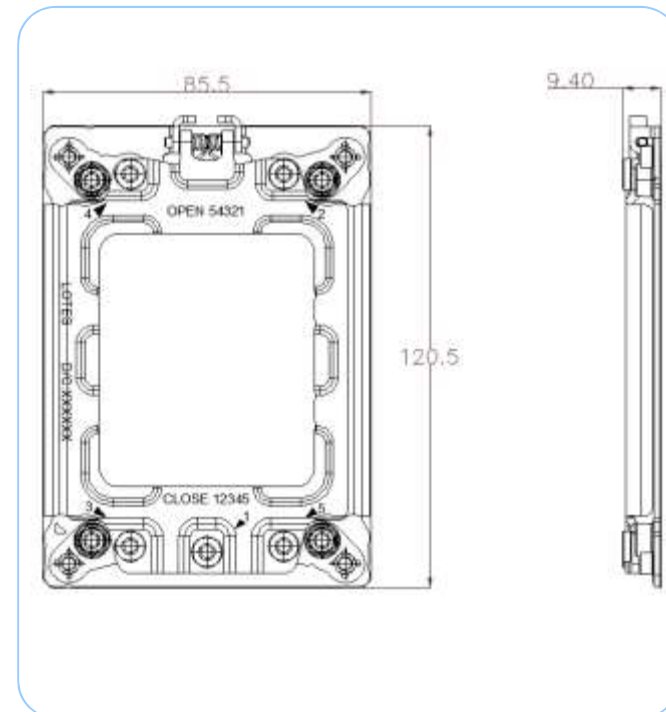
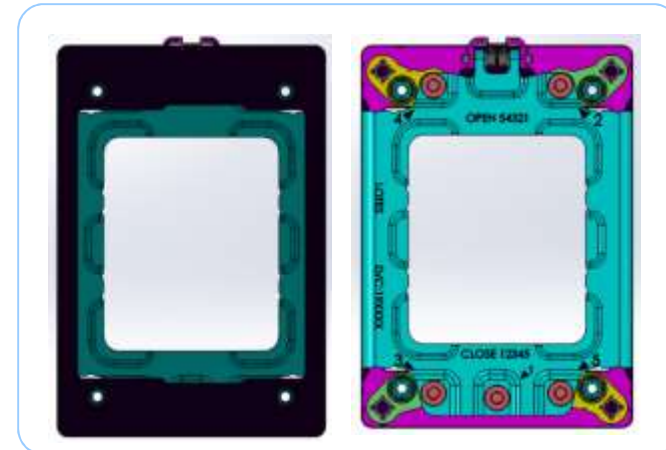
- INSULATOR: THERMOPLASTIC, VTM-0, BLACK,  $T=0.178 \text{ mm}$
- HS STUD: M4, STAINLESS STEEL
- FRAME: STAINLESS STEEL
- E-CLIP: STAINLESS STEEL
- SHAFT: STAINLESS STEEL
- SPRING: STAINLESS STEEL
- SCREW O-CLIP: M4; STAINLESS STEEL
- LOADPLATE: STAINLESS STEEL
- LOCK SCREW: M3.5, 1122, NI PLATING
- SLEEVE PIECE\_UP: STAINLESS STEEL
- SLEEVE PIECE\_DOWN: STAINLESS STEEL
- SCREW: M4; STAINLESS STEEL
- PRE-LOCK STUD: M3.5; STAINLESS STEEL
- STUD: M3.5; STAINLESS STEEL

#### Packaging:

- Tray

#### Order Information:

- AZIF0222-P00\*



**Application:**

- Sever

**Features:**

- SKT 4926 BP

**Specification:**

**Mechanical:**

- Assembly torque:( $16 \pm 1$ kgf·cm),Confirm collar is fully seated on PCB
- Sam loading force:95kgf·cm Min.

**Electrical:**

- Operating Temperature:-25°C~100°C
- Continuous Temperature:0°C~85°C
- HF Compliant

**Physical:**

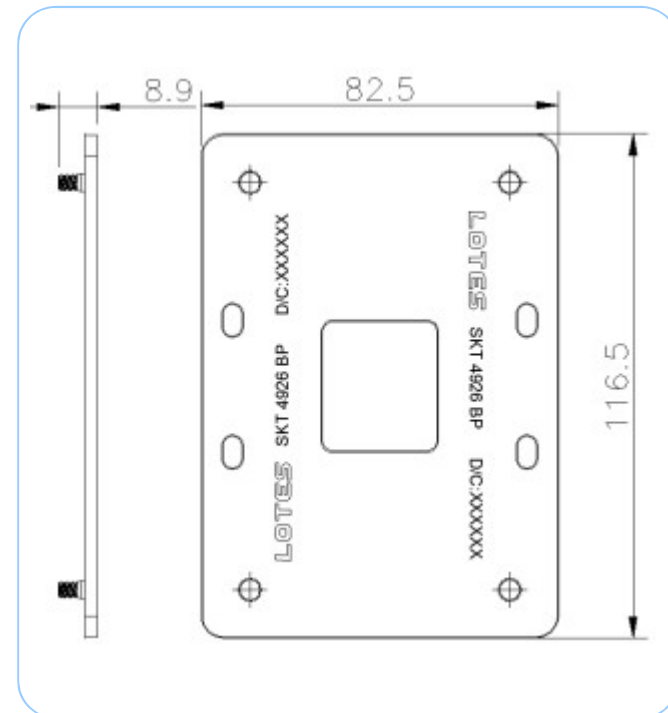
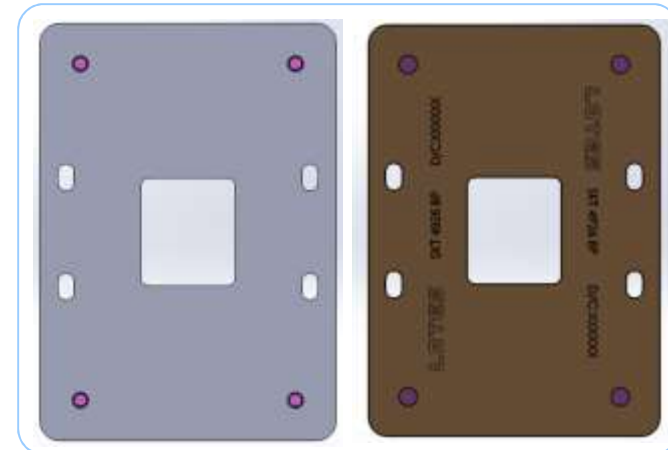
- WITHOUT NOTCH:STAINLESS STEEL,T=2.8mm
- INSULATOR:THERMOPLASTIC,VTM-0,BLACK;T=0.125
- STUD:M4 THREAD,STAINLESS STEEL

**Packaging:**

- Tray

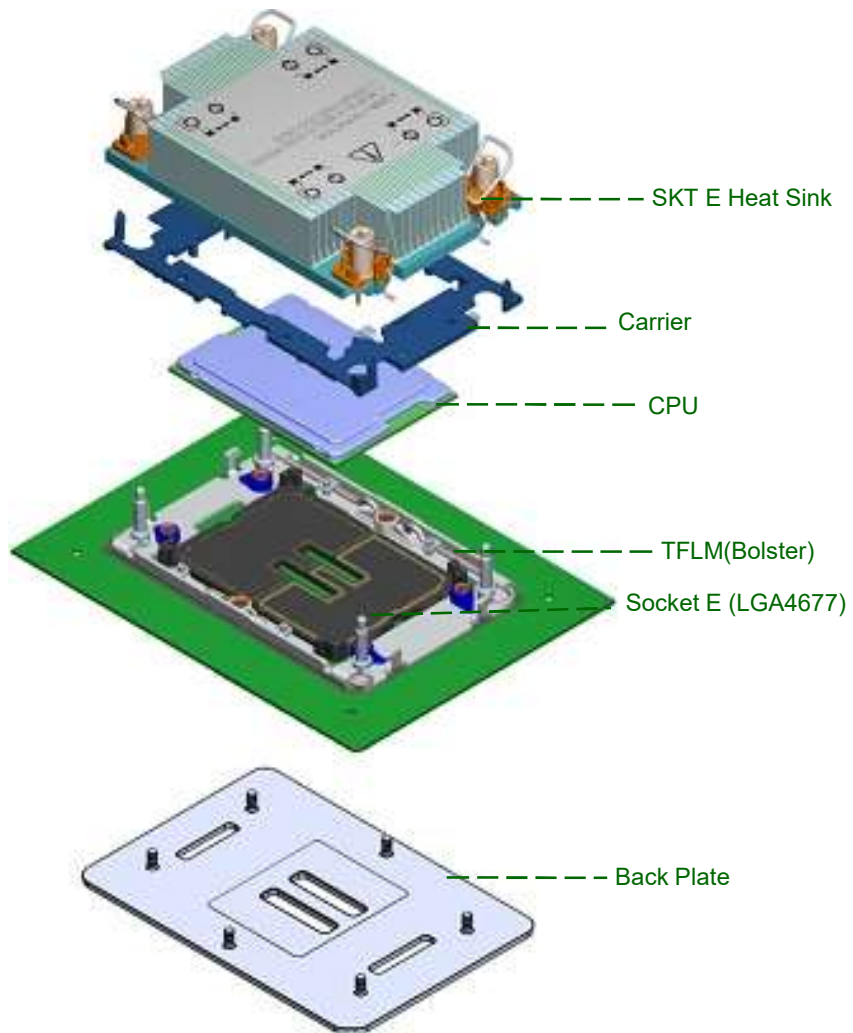
**Order Information:**

- AHSK0053-P00\*\*

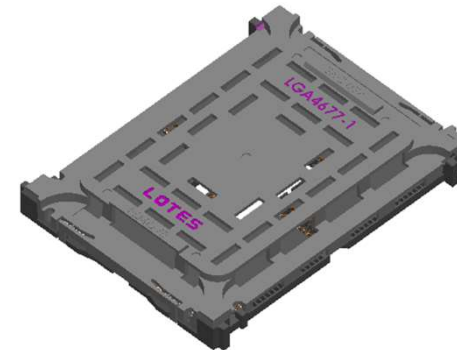


## SKT E

Product Name: Socket E(LGA4677 Socket)



Module Assembly



LGA4677 SKT



**Application:**

- Sever



**Features:**

- Solder Ball, SMT Soldering
- Land Grid Array at Contract Side
- Can be used on Server platform by matching corresponding back plate

**Specification:**

**Mechanical:**

- Pitch: 0.8139mm (X) x 0.9398mm (Y)
- Contact Count: 4677 Pins
- Durability: 30 Cycles

**Electrical:**

- Current Rating: 1A max. per pin
- Contact Resistance: 27mOhm Max.

**Physical:**

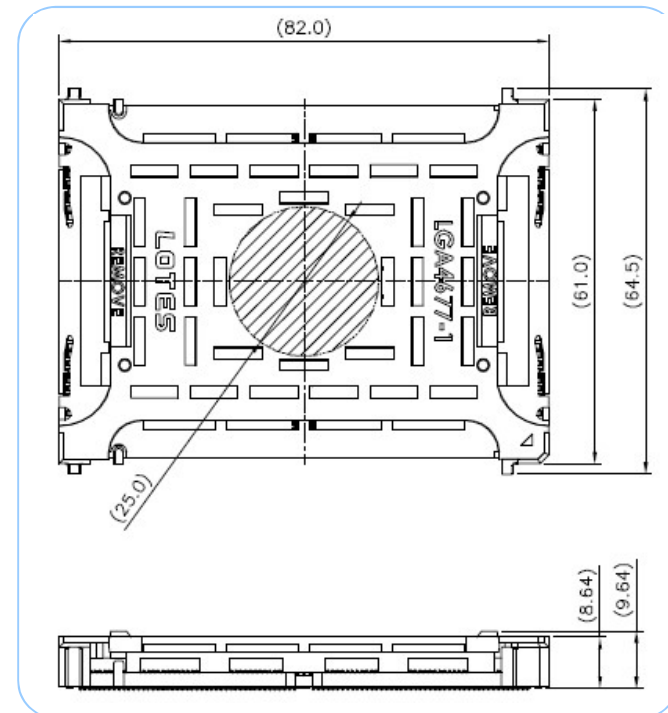
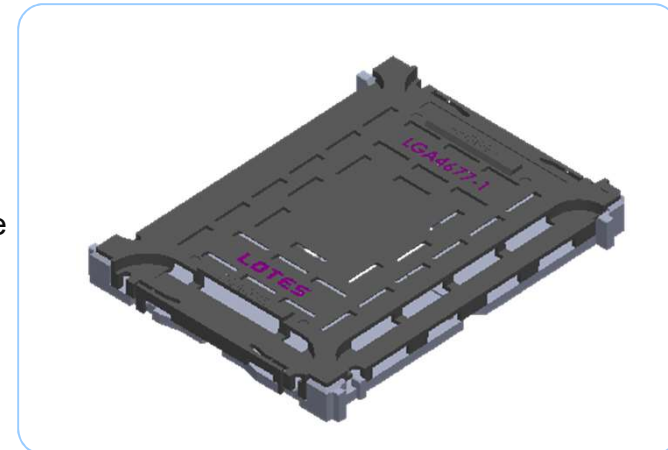
- Housing: LCP, Black, UL 94V-0
- Contact: Copper alloy
- PnP cover: LCP, Gray
- Solder Ball: Sn/Ag/Cu
- Plating on contact area: Au plating
- Operating Temperature: -25°C~100°C

**Packaging:**

- Hard tray

**Order Information:**

- CPU Socket: AZIFS035-P00\*



**Application:**

- Sever

**Features:**

- LGA4677 TFLM. for INTEL

**Specification:**

**Mechanical:**

- Assembly torque:  $8 \pm 1$  in-lbs , Confirm NUT is fully seated on PCB

**Physical :**

- Bolster plate: stainless steel
- Bolster insulator : thermoplastic,vtm-0,black
- Stop pin: stainless steel
- Nut cap: plastic pc nature
- Spring: Music-wirw, Nickel plating
- Spring stud : stainless steel
- M3 nut: Carbon steel, Nickel plating
- Shim:stainless steel

**Environment :**

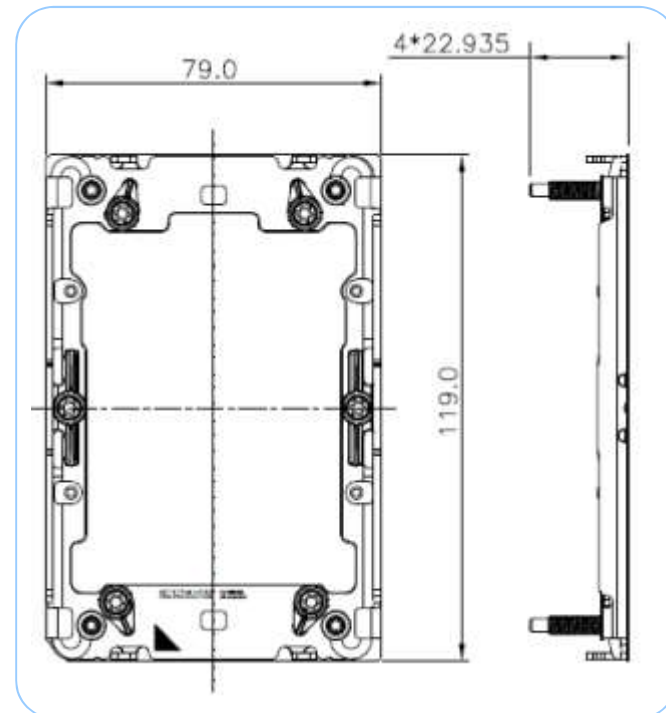
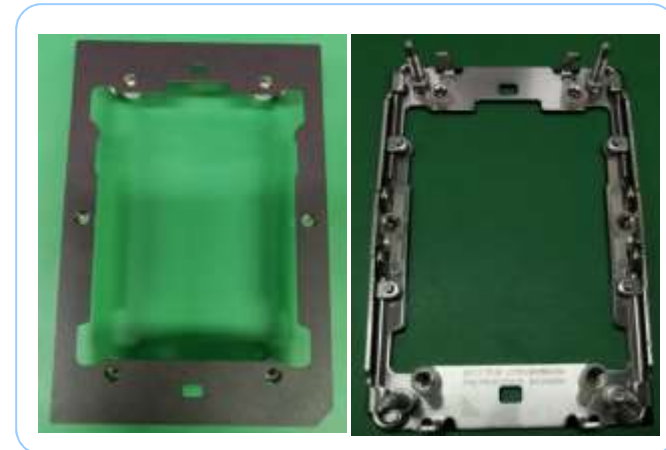
- Operating Temperature:-25°C~100°C
- Continuous Temperature:0 °C~85°C
- HF Compliant

**Packaging:**

- Tray

**Order Information:**

- AZIF0246-P001C





**Application:**

- Sever

**Features:**

- LGA4677 BP. for INTEL

**Specification:**

**Mechanical:**

- Assembly torque:  $8 \pm 1$  in-lbs , Confirm NUT is fully seated on PCB
- Stud push out force :  $> 667N$

**Physical :**

- Back plate: Carbon steel ,Ni-Plating
- Back plate Stud: Stainless Steel
- Back plate Insulator: thermoplastic,vtm-0,black

**Environment :**

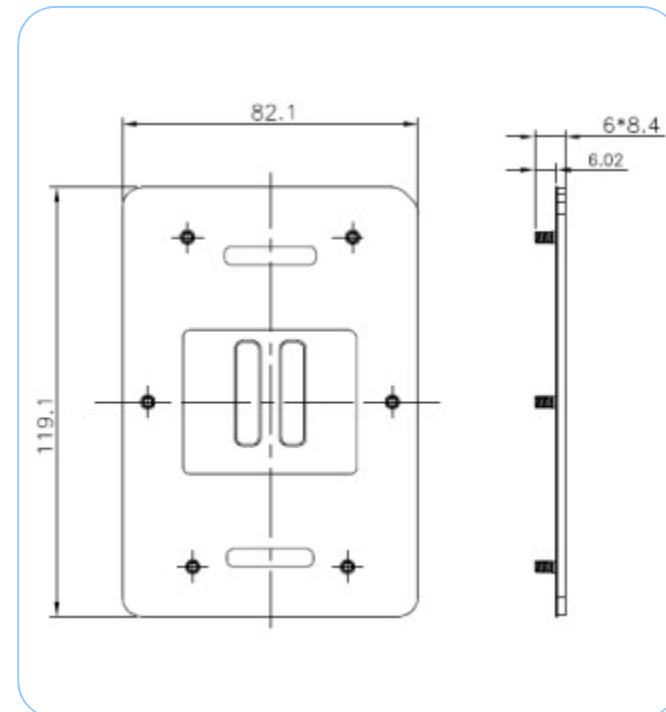
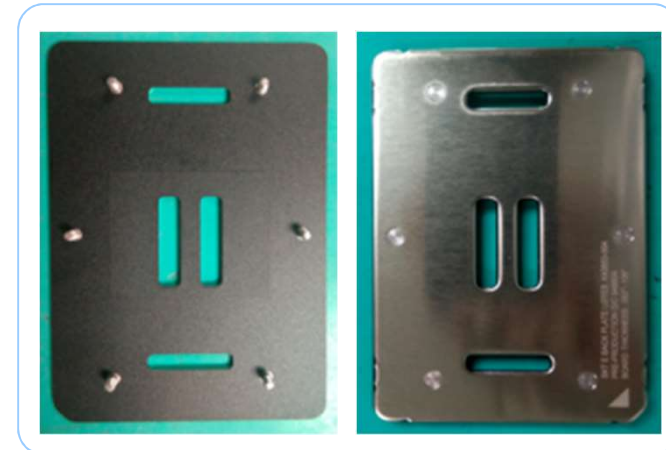
- Operating Temperature:  $-25^{\circ}C \sim 100^{\circ}C$
- Continuous Temperature:  $0^{\circ}C \sim 85^{\circ}C$
- HF Compliant

**Packaging:**

- Tray

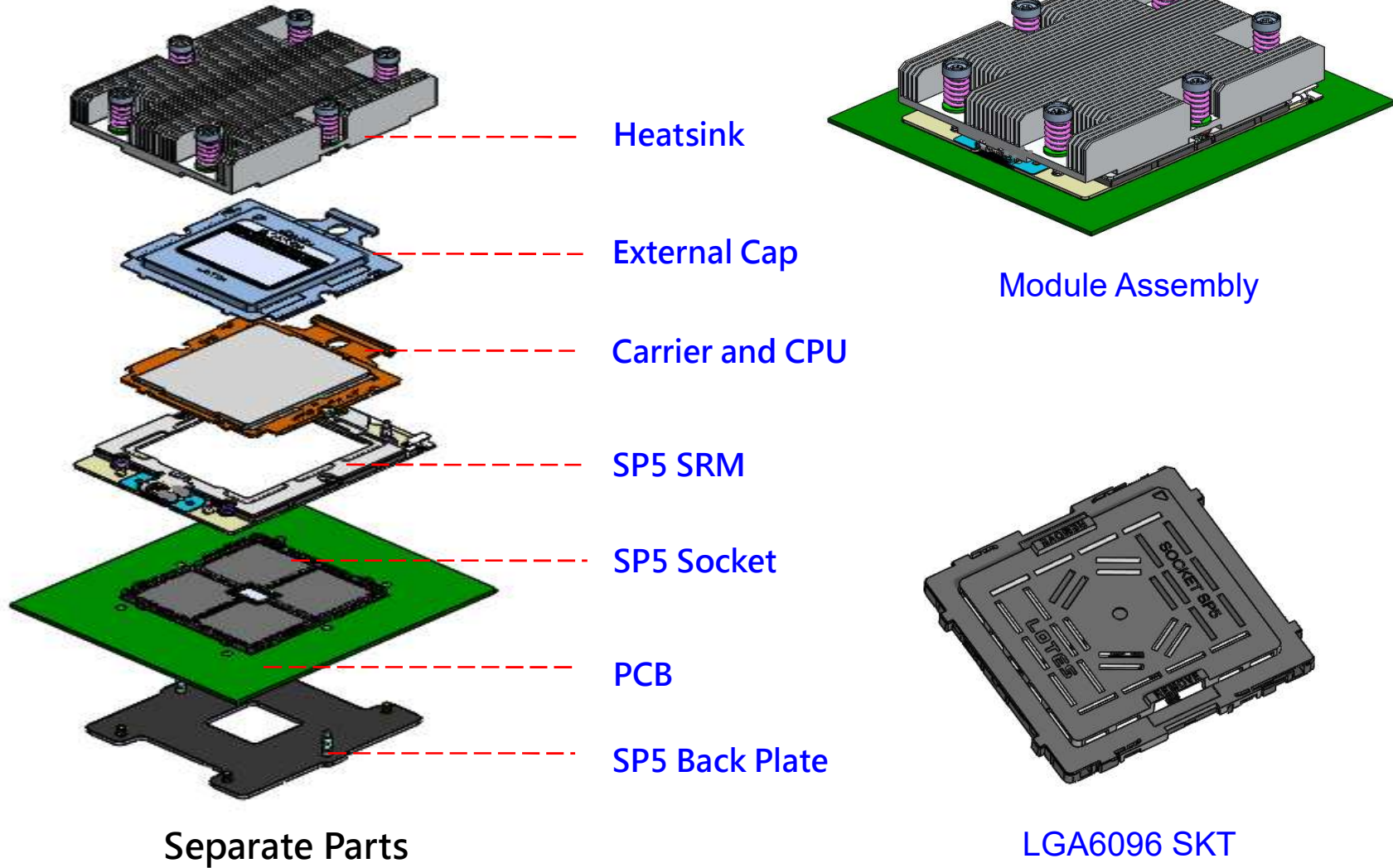
**Order Information:**

- AHSK0044-P001C
- AHSK0044-P003C For Thickness: .107"-.141"



## SKT SP5

Product Name: Socket SP5(LGA6096 Socket)



**Application:**

- Sever

**Features:**

- Solder Ball, SMT Soldering
- Land Grid Array at Contact Side

**Specification:**

**Mechanical:**

- Pitch: 0.94mm × 0.81mm
- Contact Count: 6096 Pins
- Durability: 30

**Electrical:**

- Current Rating: 1.4A max. per pin
- Contact Resistance: 40mOhm Max.

**Physical:**

- Housing: LCP, Black, UL 94V-0
- Contact: Copper alloy
- Cover: LCP, Black
- Solder Ball: Sn/Ag/Cu
- Plating: Min. 30u" gold plating on contact area

**Environment:**

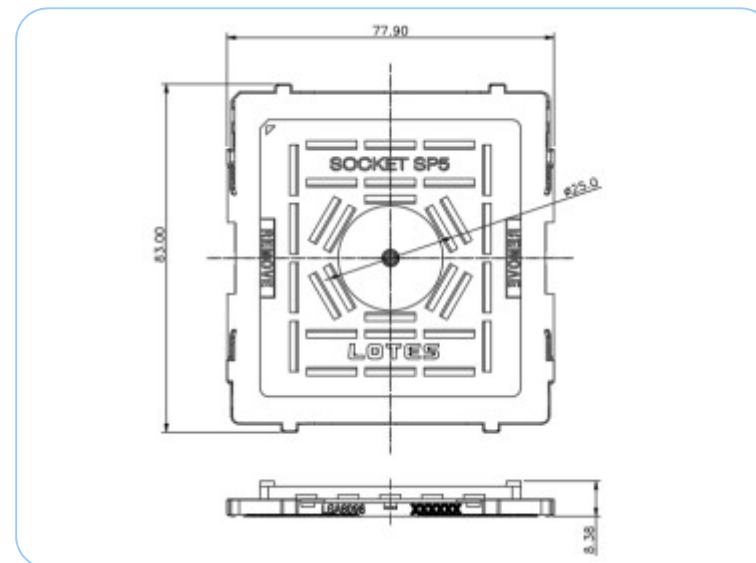
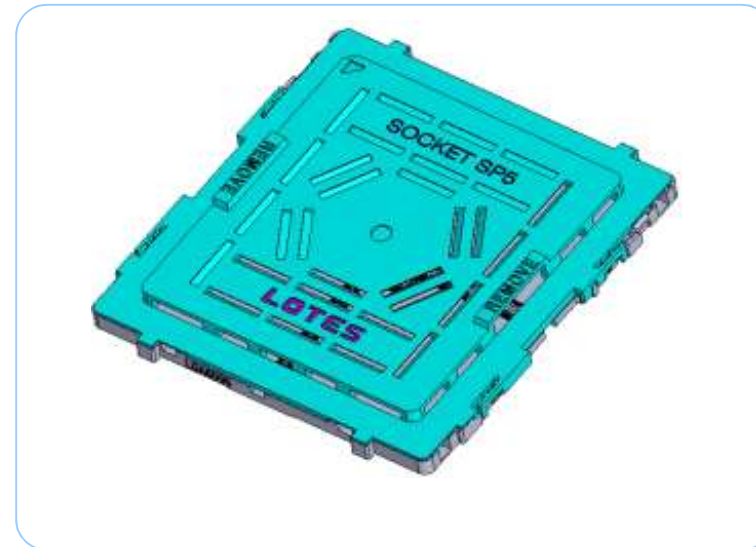
- Operating Temperature: -50°C~110°C
- Continuous Temperature: 0 °C~85°C
- HF Compliant

**Packaging:**

- Hard tray

**Order Information:**

- CPU Socket: AZIFS052-P00\*



### Application:

- Sever Computer

### Features:

- SP5 SRM/Back Plate ,for AMD

### Specification:

#### Mechanical:

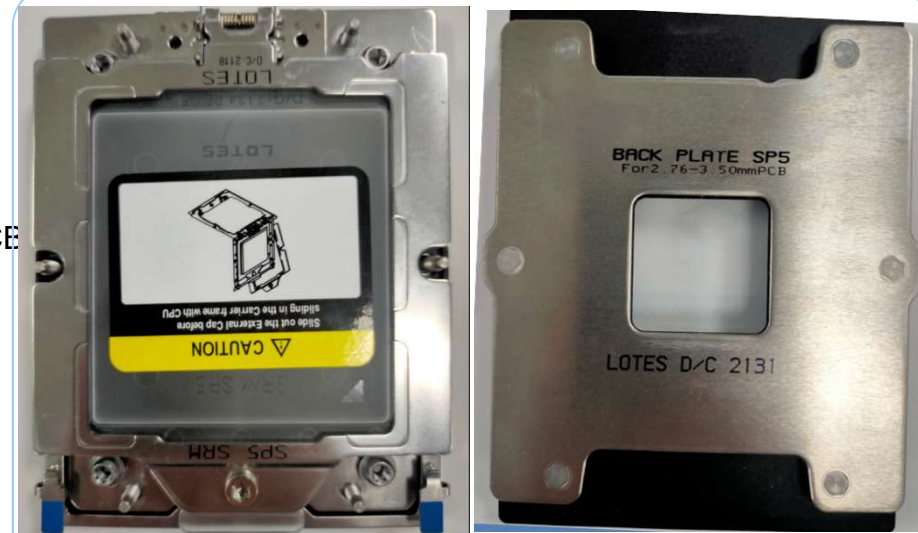
- Torque Force:( $14 \pm 1$ kgf-cm), Confirm collar is fully seated on PCB
- Duability:40 cycle
- Loading Force: $152 \pm 8$ kgf

#### Electrical:

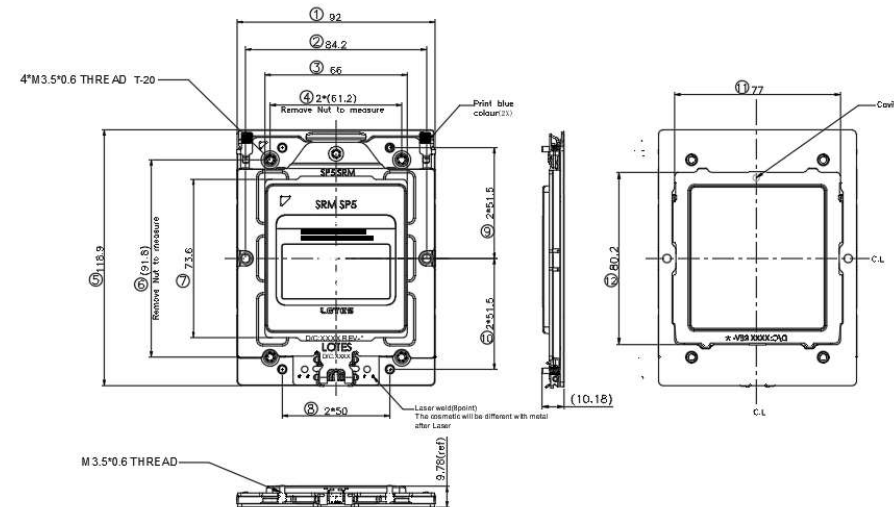
- N/A

#### Physical:

- Stiffener Frame: Stainless Steel;
- Retention Frame : Stainless steel ;
- Hine: Stainless steel ;
- E-Clip: Stainless steel ;
- Retention Frame: Stainless steel;
- External Cap: Plastic nature;
- Rail frame Assembly: Plastic black+ Stainless steel+ Print blue;
- Rail frame Spring: Stainless steel;
- Hinge Clevis: Stainless steel ;
- Stiffener Frame Insulator:Thernoplastic,VTM-0,black ;
- Stiffener Frame: Stainless steel;
- Stiffener Frame Nut : Stainless steel;
- Stiffener Frame Captive Collar: Stainless steel;
- Stiffener Frame M3.5 Moveable Nut: Stainless steel;
- Retention Frame M3.5 Stud : Carbon steel+ Plating Nickel;
- Retention Frame Captive Collar: Stainless steel;
- External Cap Label: Silicone pager;
- Stiffener Frame Stud For HS: Stainless steel;



**SP5 SRM+BP Assy**



**Environment:**

- Operating Temperature: -25°C~100°C.
- Continuous Temperature: 0 °C to 85 °C.
- HF Compliant

**Packaging:**

- Tray

**Order Information:**

- SRM :AZIF0252-P001C, BP: AHSK0062-P00\*C

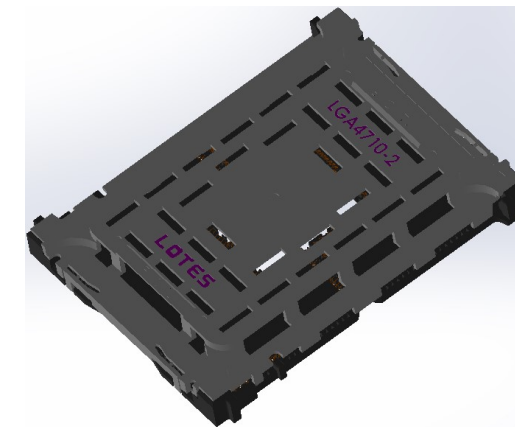
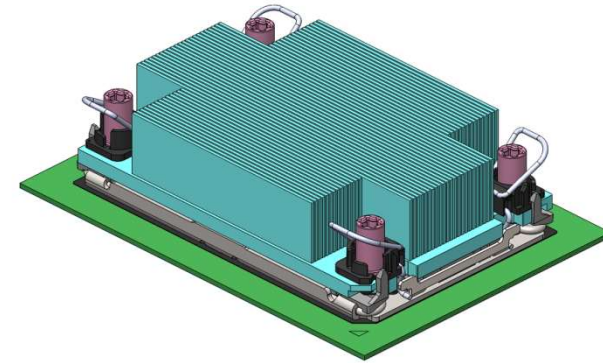
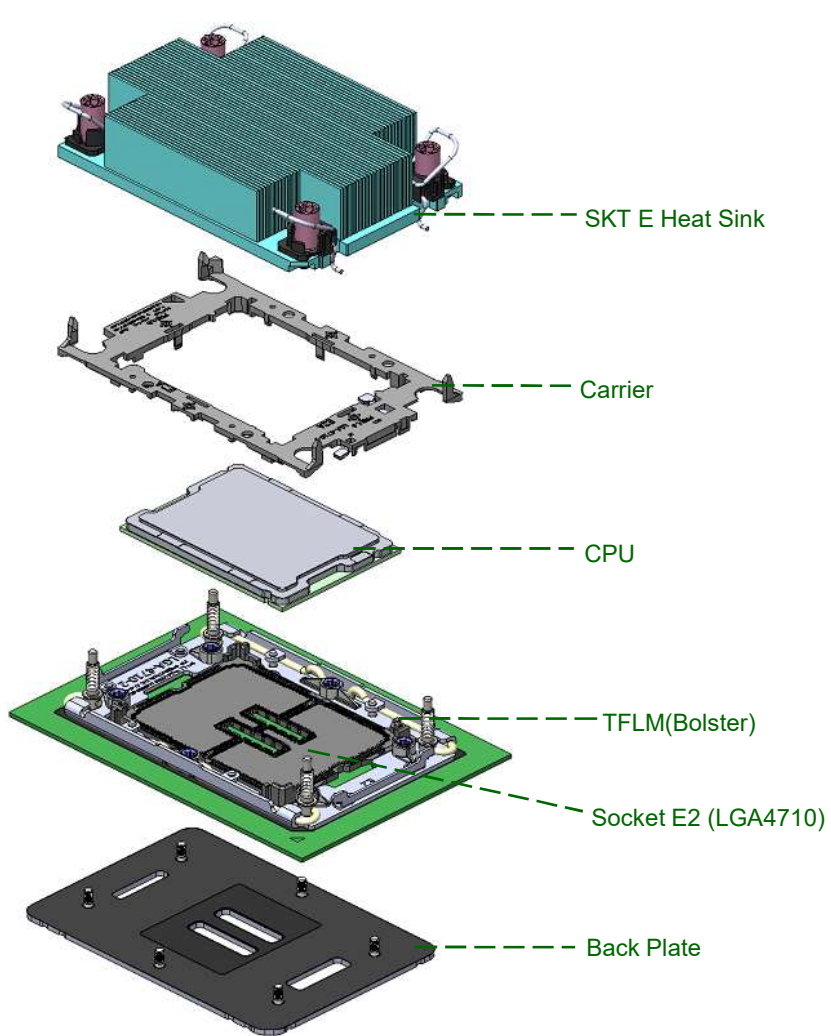
**PCB Thickness Description:**

BP P/N	Stud length	PCB thickness(mm)	PCB thickness(Mil)
AHSK0062-P007C	6.7mm	1.57~1.95	0.063~0.077
AHSK0062-P008C	7.48mm	1.96~2.75	0.078~0.108
AHSK0062-P009C	8.30mm	2.76~3.50	0.109~0.138



# SKT E2

Product Name: Socket E2(LGA4710 Socket)



**Application:**

- Sever



**Features:**

- Solder Ball, SMT Soldering
- Land Grid Array at Contract Side
- Can be used on Server platform by matching corresponding back plate

**Specification:**

**Mechanical:**

- Pitch: 0.8139mm (X) x 0.9398mm (Y)
- Contact Count: 4710 Pins
- Durability: 30 Cycles

**Electrical:**

- Current Rating: 1A max. per pin
- Contact Resistance: 27mOhm Max.

**Physical:**

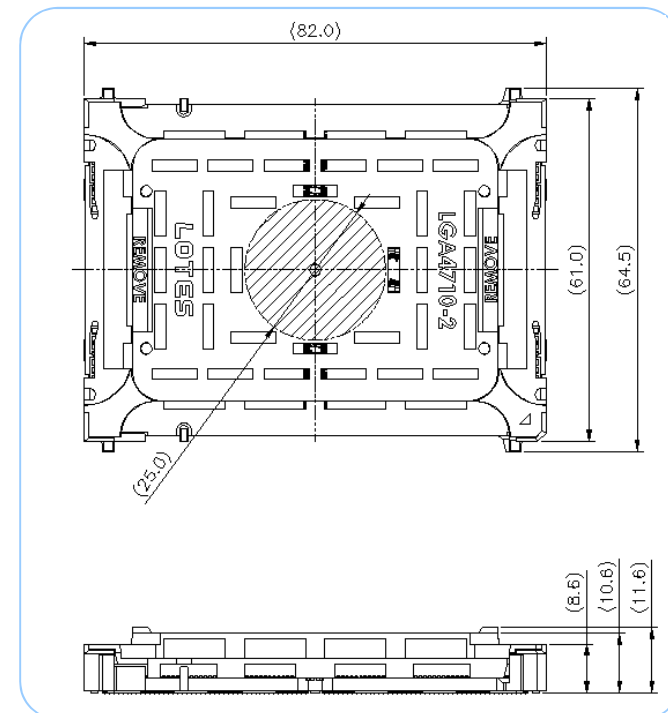
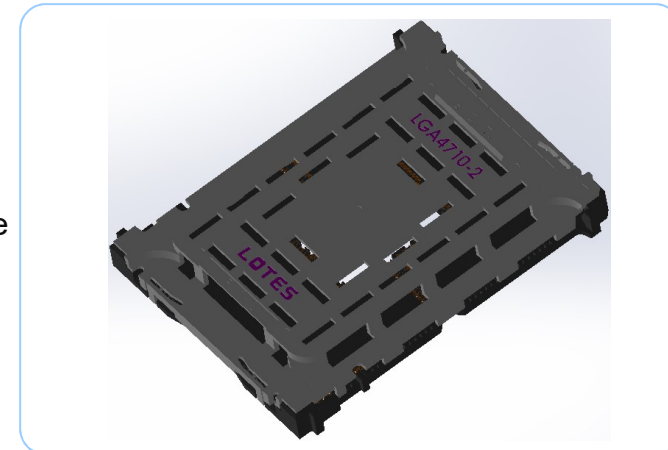
- Housing: LCP, Black, UL 94V-0
- Contact: Copper alloy
- PnP cover: LCP, Gray
- Solder Ball: Sn/Ag/Cu
- Plating on contact area: Au plating
- Operating Temperature: -25°C~100°C

**Packaging:**

- Hard tray

**Order Information:**

- CPU Socket: AZIFA090-P00\*





**Application:**

- Sever



**Features:**

- LGA4710(E2)TFLM. for INTEL

**Specification:**

**Mechanical:**

- Assembly torque: 8-10 in-lbs , Confirm NUT is fully seated on PCB

**Physical :**

- Bolster plate: stainless steel
- Bolster insulator: thermoplastic,vtm-0,black
- Stop pin: stainless steel
- Nut cap1: plastic pc, Gray
- Nut cap2: plastic pc, Gray
- Spring1: Music-wire, Nickel plating
- Spring2: Music-wire, Nickel plating
- Spring stud : stainless steel
- M3 nut: Carbon steel, Nickel plating
- Shim: stainless steel
- Flange: stainless steel
- Rivet: stainless steel

**Environment :**

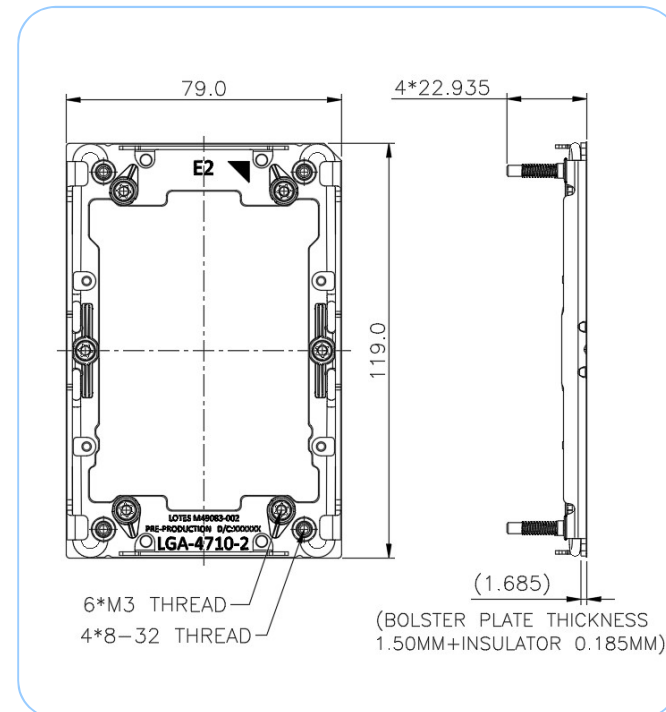
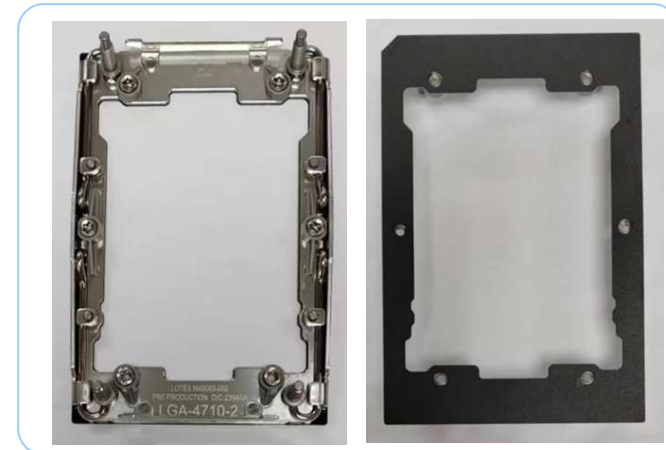
- Operating Temperature:-40°C~100°C
- HF Compliant

**Packaging:**

- Tray

**Order Information:**

- AZIFA092-P001CCS



**Application:**

- Sever



**Features:**

- LGA4710(E2)BP. for INTEL

**Specification:**

**Mechanical:**

- Assembly torque: 8-10 in-lbs , Confirm NUT is fully seated on PCB
- Stud push out force : >667N

**Physical :**

- Back plate: Carbon steel ,Ni-Plating
- Back plate Stud: Stainless Steel
- Back plate Insulator: thermoplastic,vtm-0,black
- Back plate Extra Insulator: thermoplastic,vtm-0,black

**Environment :**

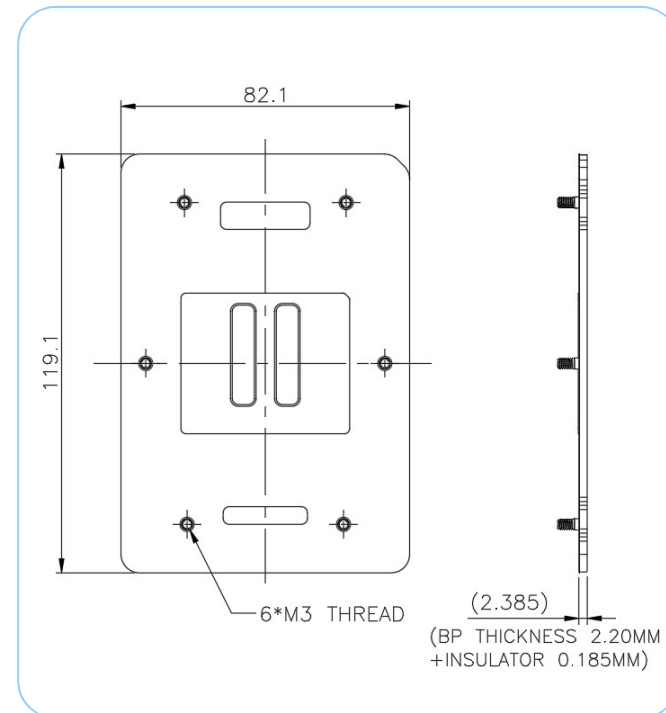
- Operating Temperature:-40°C~100°C
- HF Compliant

**Packaging:**

- Tray

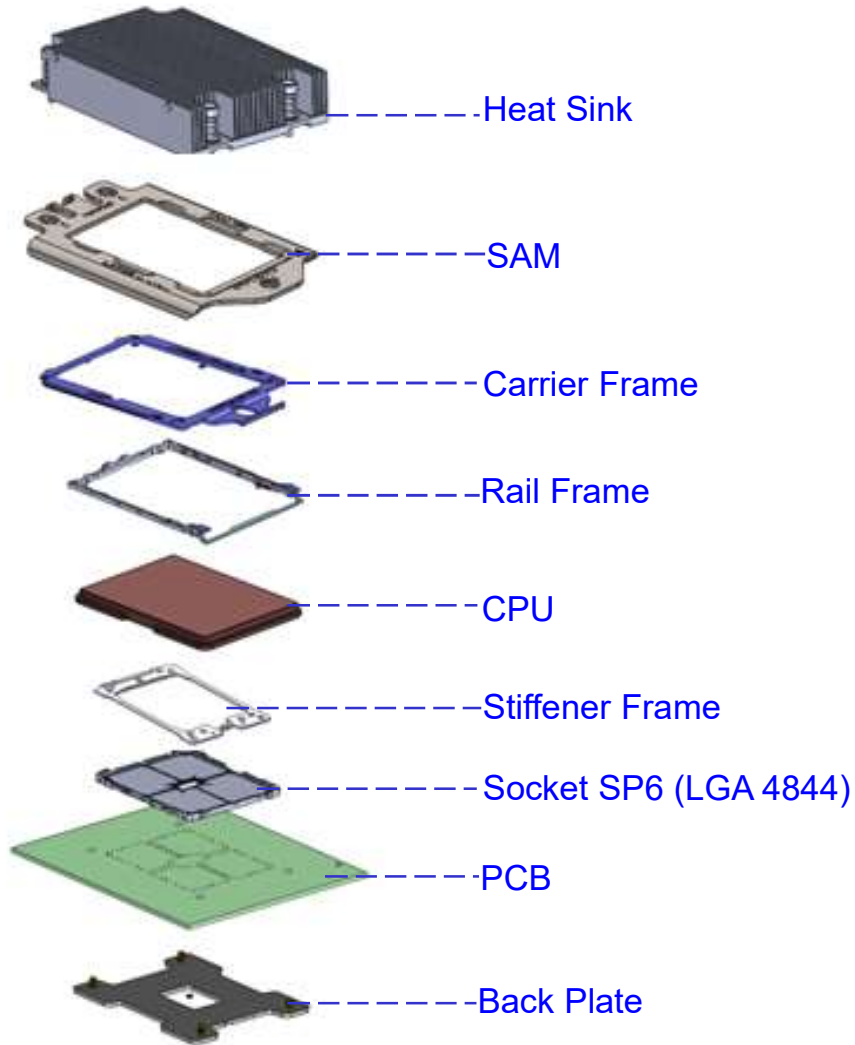
**Order Information:**

- AHSKA037-P001CC For Thickness: .062"-.106"
- AHSKA037-P002CC For Thickness: .107"-.141"

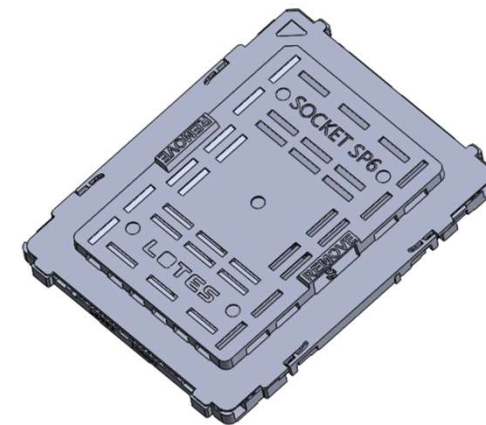
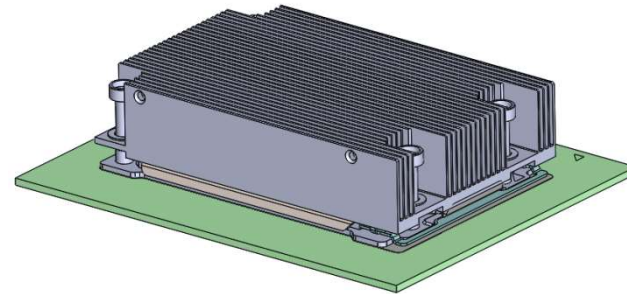


## SKT SP6

Product Name: Socket SP6(LGA4844 Socket)



## Module Assembly



LGA4844 SKT

**Application:**

- Sever



**Features:**

- Solder Ball, SMT Soldering
- Land Grid Array at Contract Side
- Can be used on Server platform by matching corresponding back plate

**Specification:**

**Mechanical:**

- Pitch: 0.94mm (X) x 0.81mm (Y)
- Contact Count: 4844 Pins
- Durability: 50 Cycles

**Electrical:**

- Current Rating: 1.4A max. per pin
- Contact Resistance: 40mOhm Max.

**Physical:**

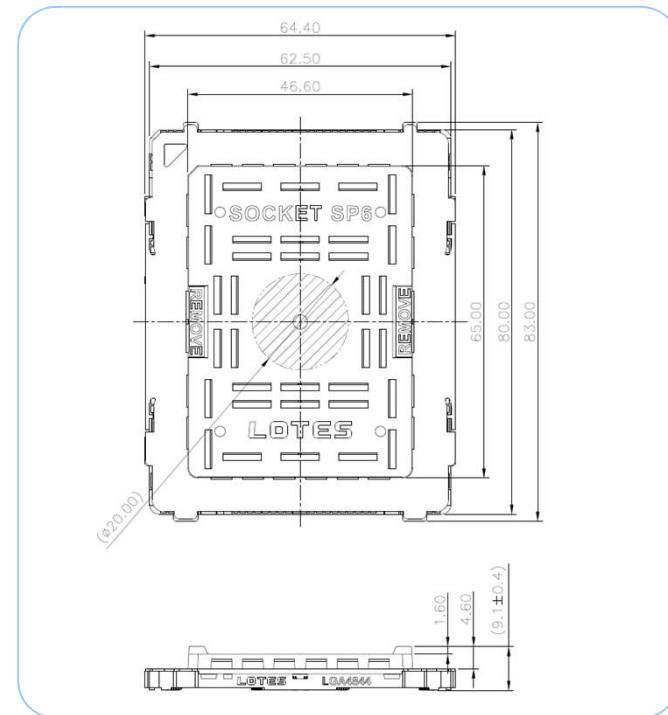
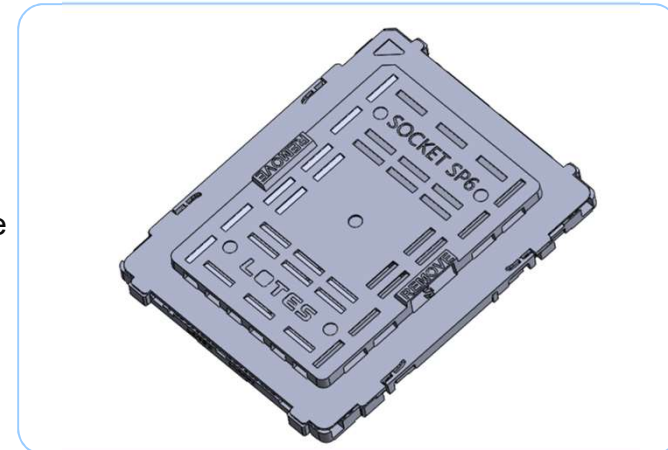
- Housing: LCP, Black, UL 94V-0
- Contact: Copper alloy
- PnP cover: LCP, Black
- Solder Ball: Sn/Ag/Cu
- Plating on contact area: Au plating
- Operating Temperature: -55°C~110°C

**Packaging:**

- Hard tray

**Order Information:**

- CPU Socket: AZIF0057-P00\*



### Application:

- Sever Computer

### Features:

- SP6 SAM+BP ,for AMD

### Specification:

#### Mechanical:

- Torque Force:(14-in-lbs), Confirm collar is fully seated on PCB.
- Durability:40 cycle
- Loading force:191 lbf Min

#### Electrical:

- N/A

#### Physical:

- Stiffener Frame: Stainless Steel;
- Load Plate: Stainless Steel;
- Force Frame Hinge Clevis: Stainless Steel;
- Rail Frame Hinge Clevis:Stainless Steel;
- Rail Frame Assy: Stainless Steel And PA66;
- Force Frame Stud: Carbon Steel;
- Force FrameCaptive Collar :Stainless Steel;
- Stiffener Frame Nut :Stainless Steel;
- Stiffener Frame HS Nut :Stainless Steel;
- Rivet:Stainless Steel
- Mylar:Thermoplastic, UL94VTM-0,Black;
- External Cap:Polycarbonate, UL94VTM-2,Nature

#### Environment:

- Operating Temperature: -25 °C~100 °C.
- Continuous Temperature: 0 °C to 85 °C.
- HF Compliant

#### Packaging:

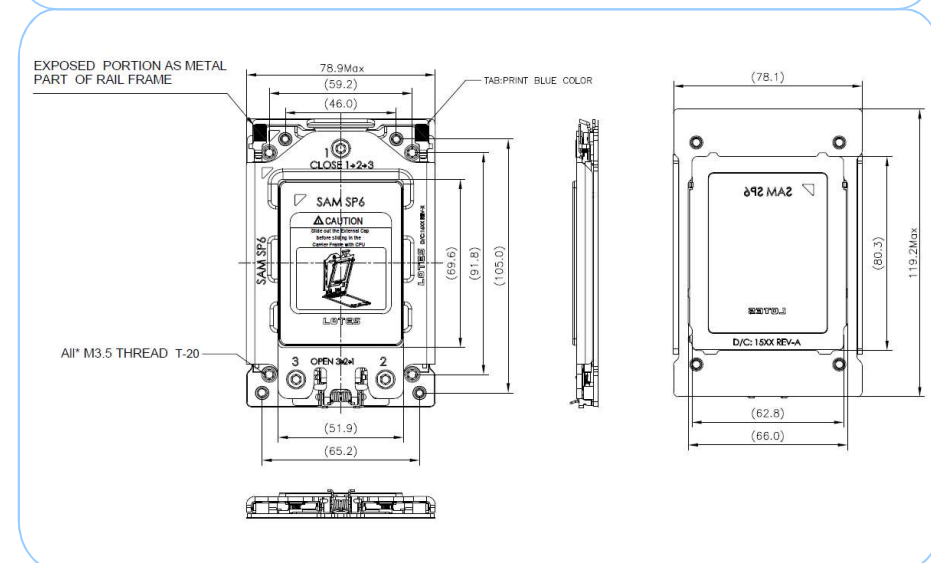
- Tray

#### Order Information:

- SAM :AZIFA060-P001CCS, BP: AHSKA027-P00\*CCS



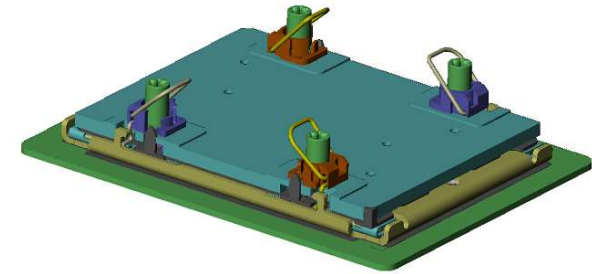
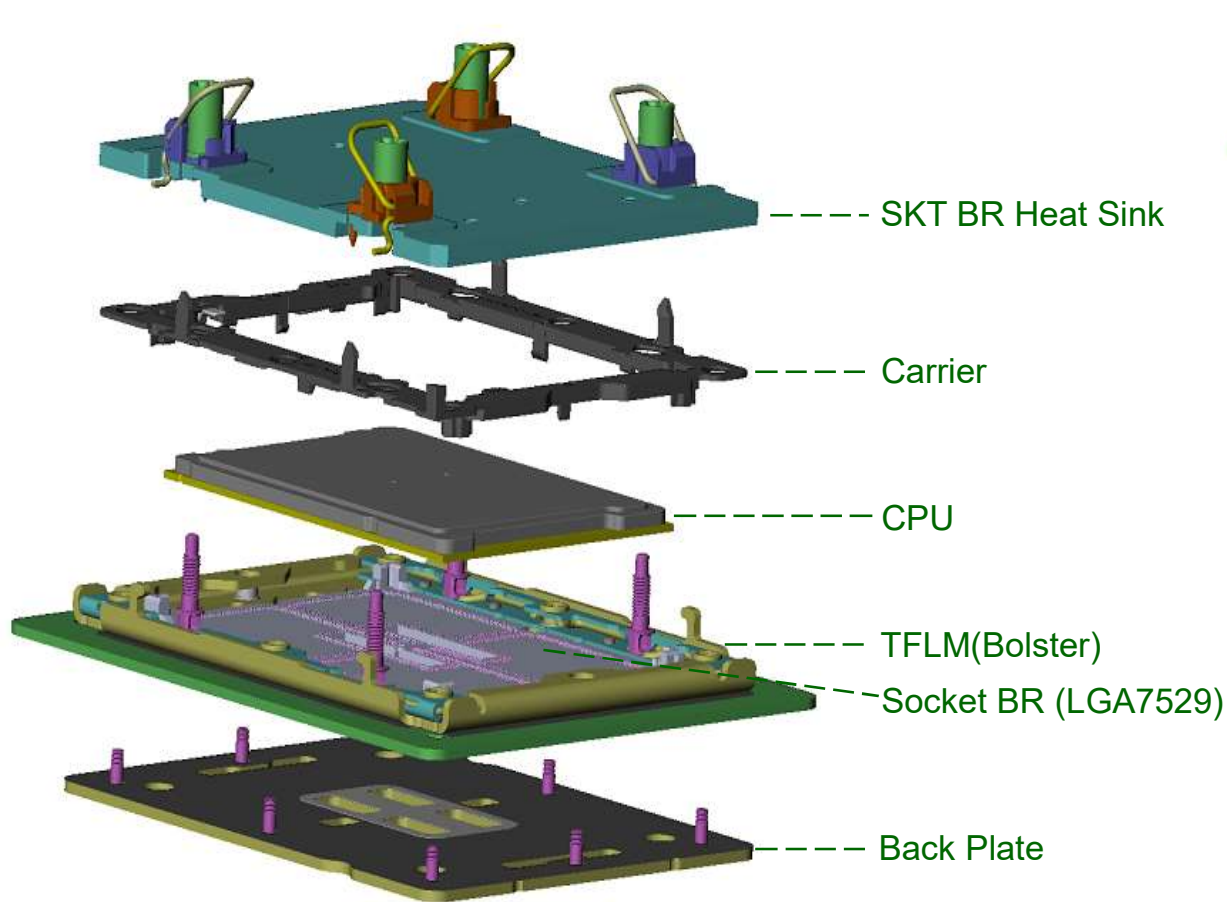
SP6 SAM Assy



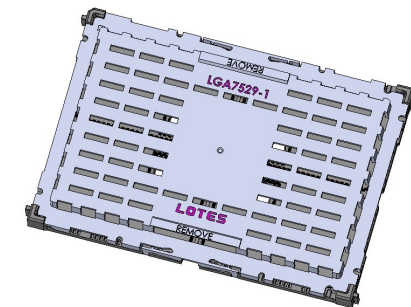


## SKT BR

Product Name: Socket BR(LGA7529 Socket)



Module Assembly



LGA7529 SKT



**Application:**

- Sever



**Features:**

- Solder Ball, SMT Soldering
- Land Grid Array at Contract Side
- Can be used on Server platform by matching corresponding back plate

**Specification:**

**Mechanical:**

- Pitch: 0.8139mm (X) x 0.9398mm (Y)
- Contact Count: 7529 Pins
- Durability: 30 Cycles

**Electrical:**

- Current Rating: 1A max. per pin
- Contact Resistance: Average LLCR < 27 mOhm  
Maximum LLCR < 52 mOhm

**Physical:**

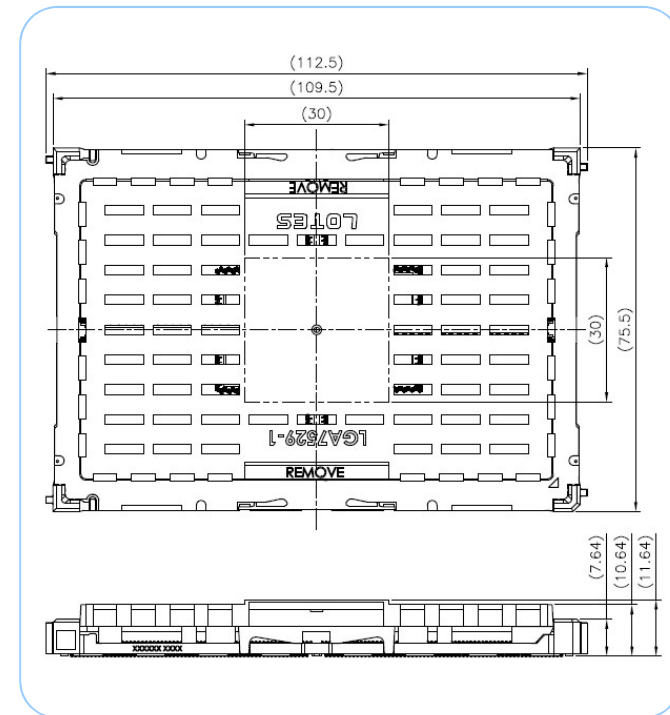
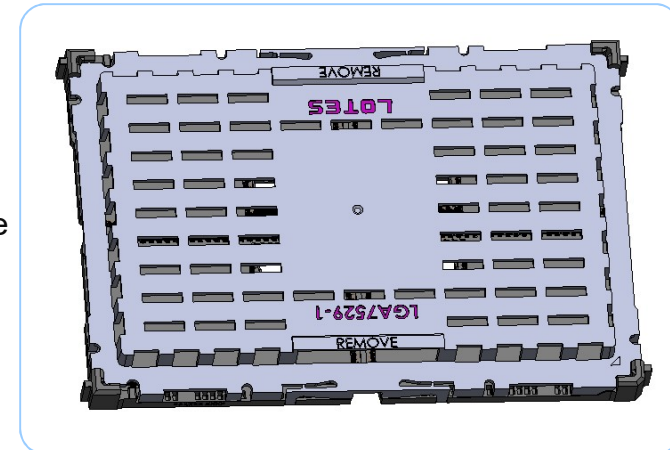
- Housing: LCP, Black, UL 94V-0
- Contact: Copper alloy
- PnP cover: LCP, Gray
- Solder Ball: Sn/Ag/Cu
- Plating on contact area: Au plating
- Operating Temperature: -40°C ~ 100°C

**Packaging:**

- Hard tray

**Order Information:**

- CPU Socket: AZIFS057-P00\*



### Application:

- Sever Computer



### Features:

- SOCKET BR TFLM/Back Plate ,for Intel

### Specification:

#### Mechanical:

- Circuits: 7529Pin
- Torque Force:(0.8~1N-m), Confirm collar is fully seated on PCB.
- Duability:6 cycle
- Loading Force:650±50 lbf

#### Electrical:

- N/A

#### Physical:

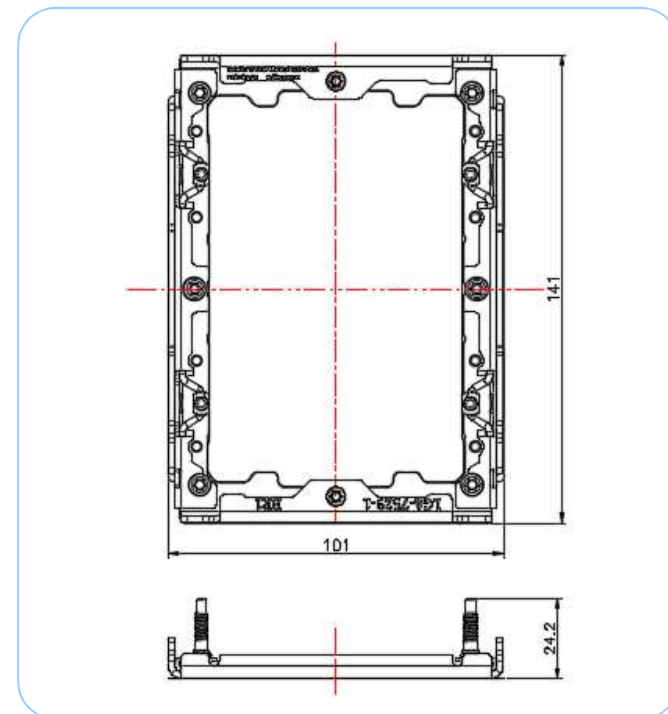
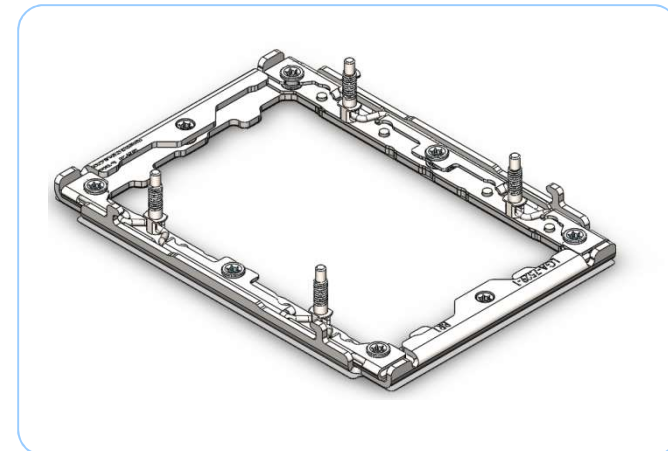
- BOLSTER PLATE: STAINLESS STEEL;
- BOLSTER INSULATOR: THERMOPLASTIC,VTM-0,BLACK;
- WIRE CLEVIS PIN: STAINLESS STEEL;
- CLEVIS: STAINLESS STEEL;
- SPRING: MUSIC-WIRE,NICKEL PLATING;
- COLLAR: STAINLESS STEEL;
- BOLSTER NUT: CARBON STEEL,NICKEL PLATING;
- CLEVIS NUT: CARBON STEEL,NICKEL PLATING;
- POST: STAINLESS STEEL;

#### Packaging:

- tray

#### Order Information:

- SRM :AZIF0003-P003CC



**Application:**

- Sever Computer



**Features:**

- SOCKET BR TFLM/Back Plate ,for Intel

**Specification:**

**Mechanical:**

- Circuits: 7529Pin
- Torque Force:(0.8~1N-m), Confirm collar is fully seated on PCB.
- Duability:6 cycle
- Loading Force:650±50 lbf

**Electrical:**

- N/A

**Physical:**

- BOLSTER PLATE: STAINLESS STEEL;
- BOLSTER INSULATOR: THERMOPLASTIC,VTM-0,BLACK;
- WIRE CLEVIS PIN: STAINLESS STEEL;
- CLEVIS: STAINLESS STEEL;
- SPRING: MUSIC-WIRE,NICKEL PLATING;
- COLLAR: STAINLESS STEEL;
- BOLSTER NUT: CARBON STEEL,NICKEL PLATING;
- CLEVIS NUT: CARBON STEEL,NICKEL PLATING;
- POST: STAINLESS STEEL;

**Packaging:**

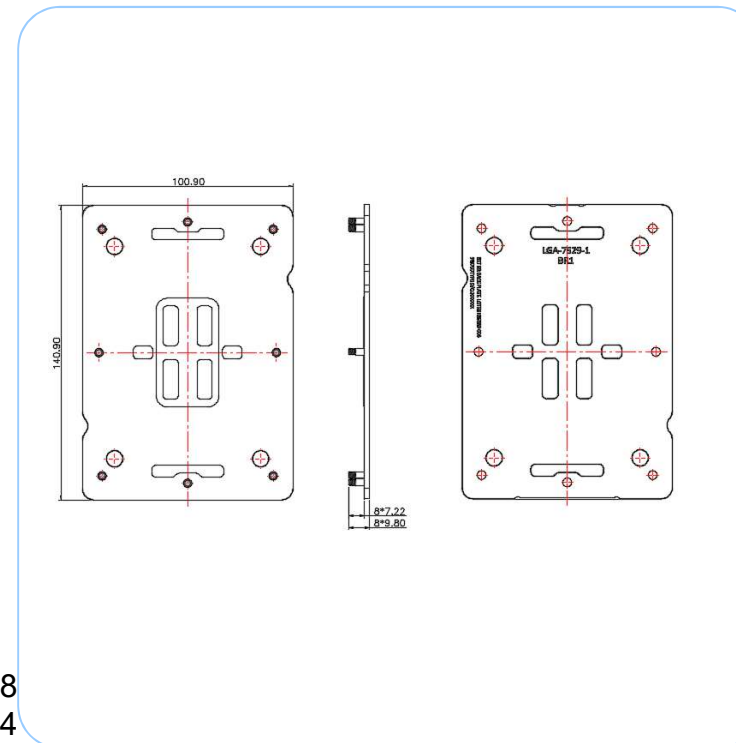
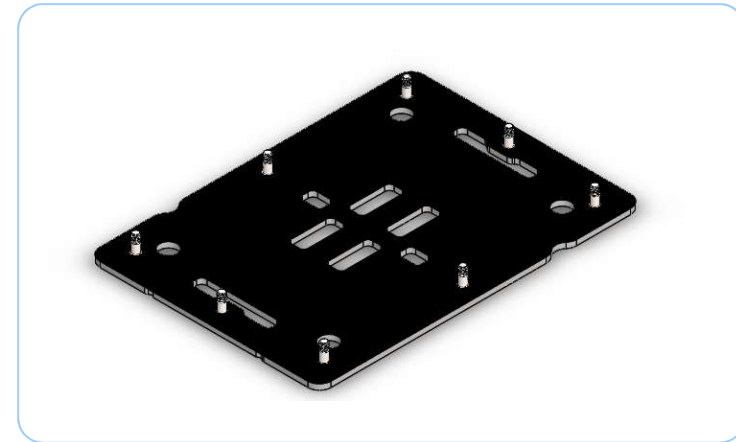
- tray

**Order Information:**

- BP :AHSK0002-P0\*\*CC

**PCB Thickness Description:**

BP P/N	Stud length	PCB thickness(mm)	PCB thickness(Mil)
AHSK0002-P009C	7.22mm	2.36~2.74	0.093~0.108
AHSK0002-P010C	7.62mm	2.77~3.15	0.109~0.124
AHSK0002-P011C	8.00mm	3.18~3.56	0.125~0.140



**Application:**

- Sever Computer

**Features:**

- SOCKET BR Carrier ,for Intel

**Specification:**

**Mechanical:**

Circuits: 7529Pin

**Physical :**

- N/A

**Environment :**

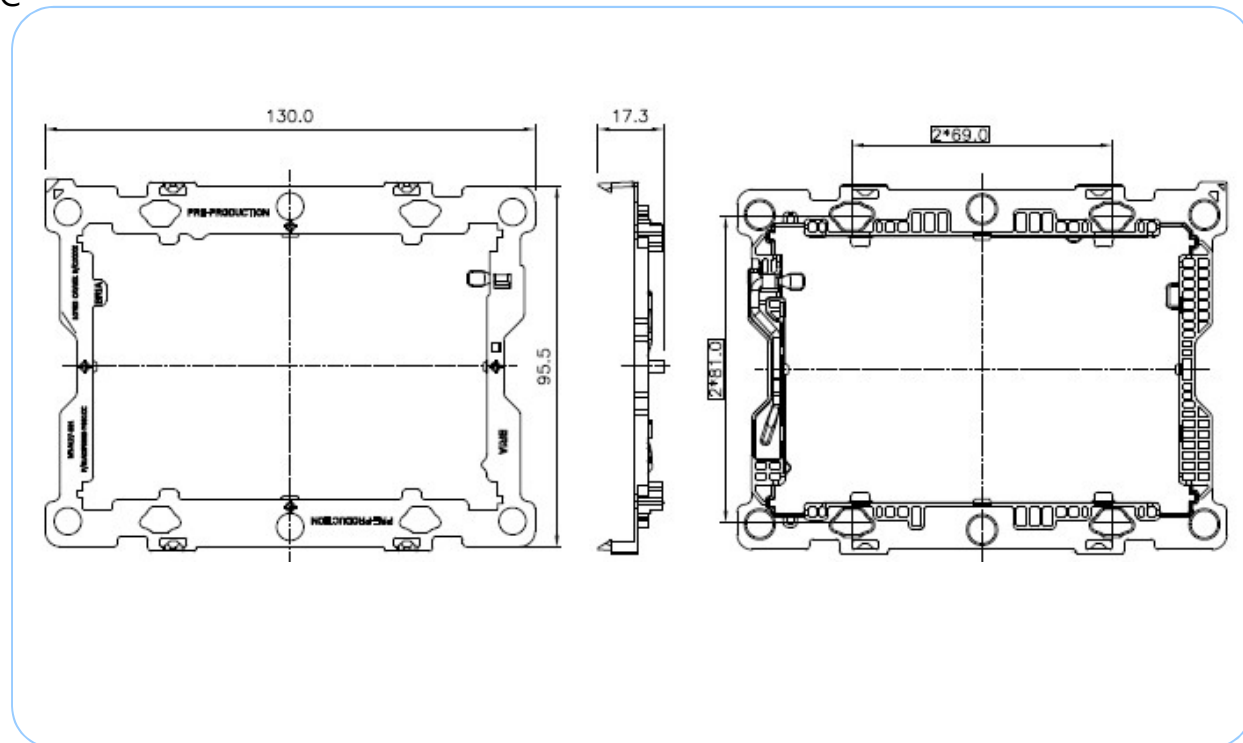
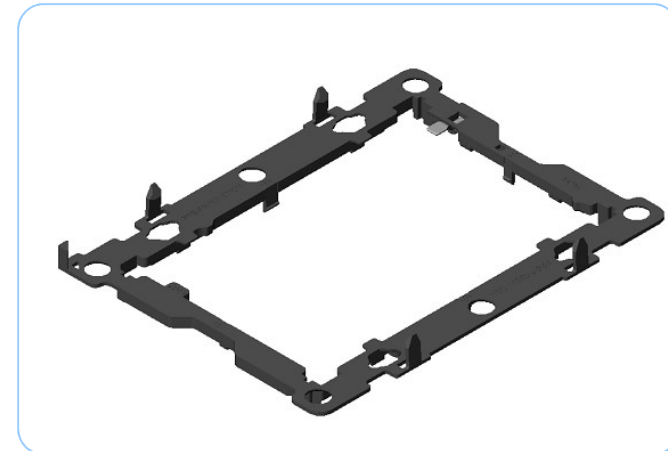
- Operating Temperature:-25°C~100°C
- Continuous Temperature:0°C~85°C
- HF Compliant

**Packaging:**

- Tray

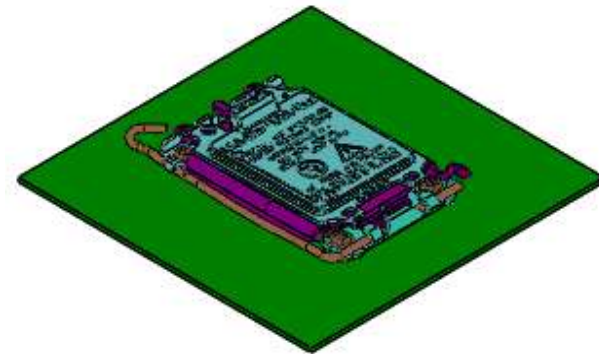
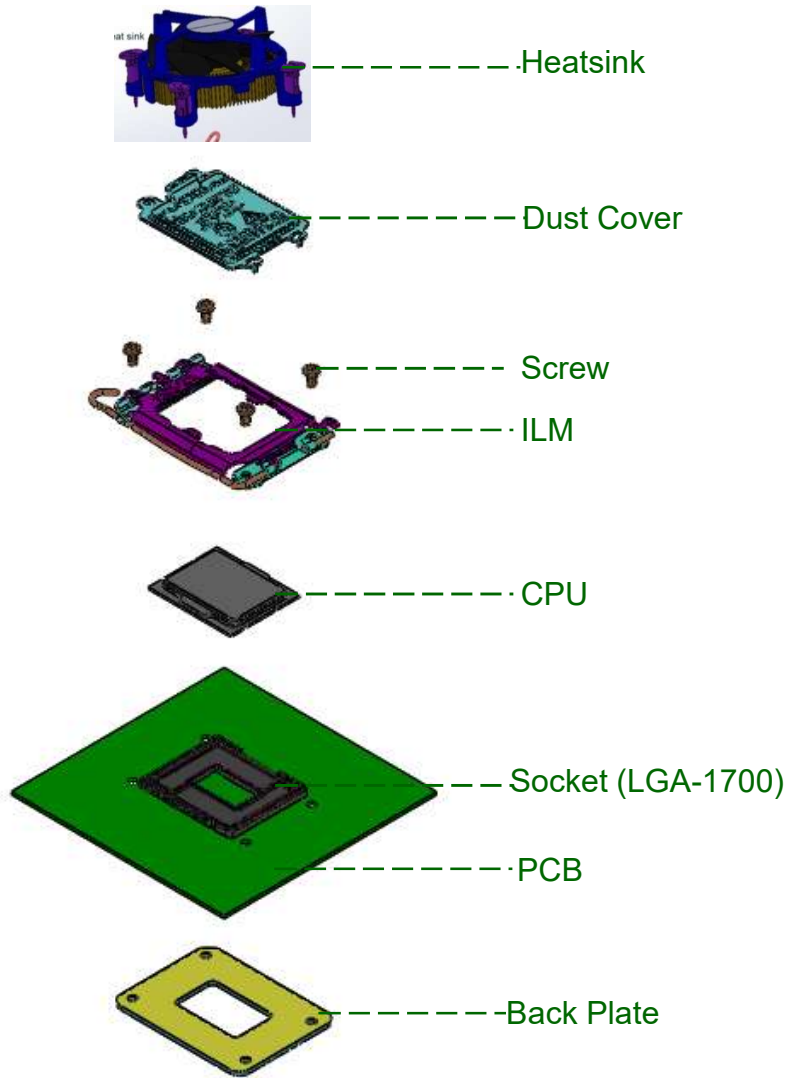
**Order Information:**

- **AZIF0009-P002CC**

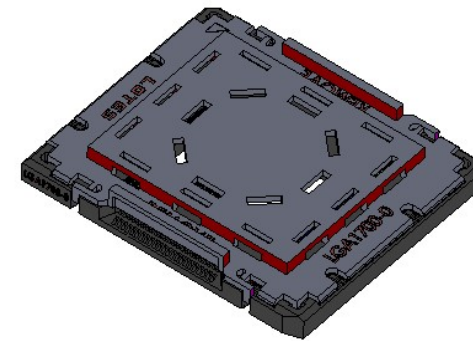


# SKT V

Product Name: Socket V0(LGA1700 Socket)



Module Assembly



LGA1700 SKT

**Application:**

- Desktop



**Features:**

- Solder Ball, SMT Soldering
- Land Grid Array at Contact Side
- Can be used on Server platform by matching corresponding back plate

**Specification:**

**Mechanical:**

- Pitch: 0.80mm (X) x 0.80mm (Y)
- Contact Count: 1700 Pins
- Durability: 30 Cycles

**Electrical:**

- Current Rating: 1A Max. per pin
- Contact Resistance (Average): 27mOhm Max.
- HF: 32Gbps

**Physical:**

- Housing: LCP, Black, UL 94V-0
- Contact: Copper alloy
- PnP cover: LCP, Gray
- Solder Ball: Sn/Ag/Cu
- Plating on contact area: 15u" Min. Au plating
- Operating Temperature: -25°C ~ 100°C

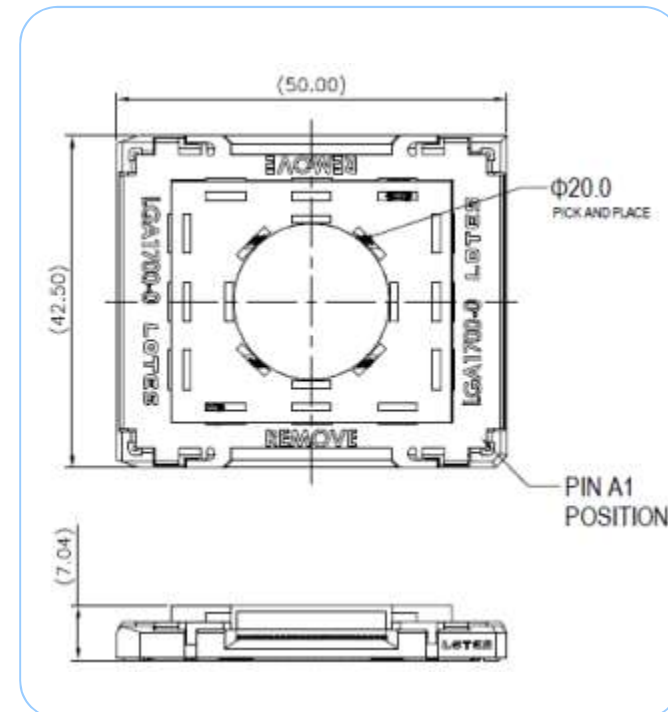
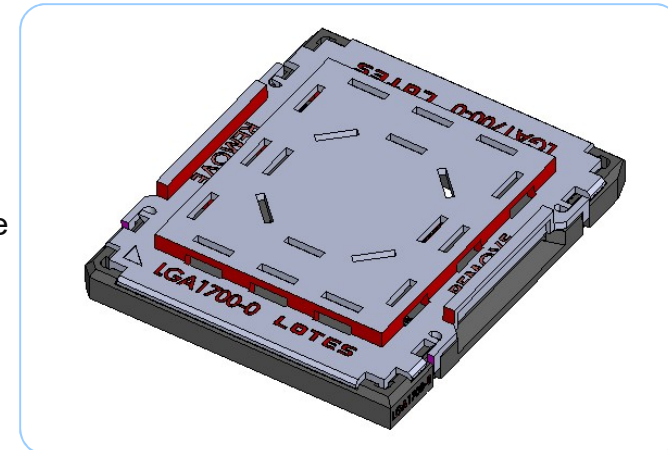
**Packaging:**

- Hard tray

**Order Information:**

- CPU Socket: See below part number table

Platform	Part P/N	Descriptions
Socket V	AZIF0216-P001C	Socket V Socket_15u"
	AZIF0216-P002C	Socket V Socket_1u"





### Application:

- Desktop

### Features:

- For Socket 1700 (SKT V)

### Specification:

#### Mechanical:

- Durability: 20 Cycles

#### Physical :

- Load Lever Arm:Stainless steel
- Load Plate:Stainless steel
- Screw Screw:Low carbon steel
- Hinge Frame:S50C,Nickel plated
- Lever Frame:S50C,Nickel plated
- Back Plate:S50C,Nickel plated
- Load plate frame insulator: thermoplastic,vtm-0,black
- Hinge frame insulator:thermoplastic,vtm-0,black
- Lever frame insulator:thermoplastic,vtm-0,black
- Back plate insulator:thermoplastic,vtm-0,black
- Dust cover:PC+ABS,gre

#### Environment :

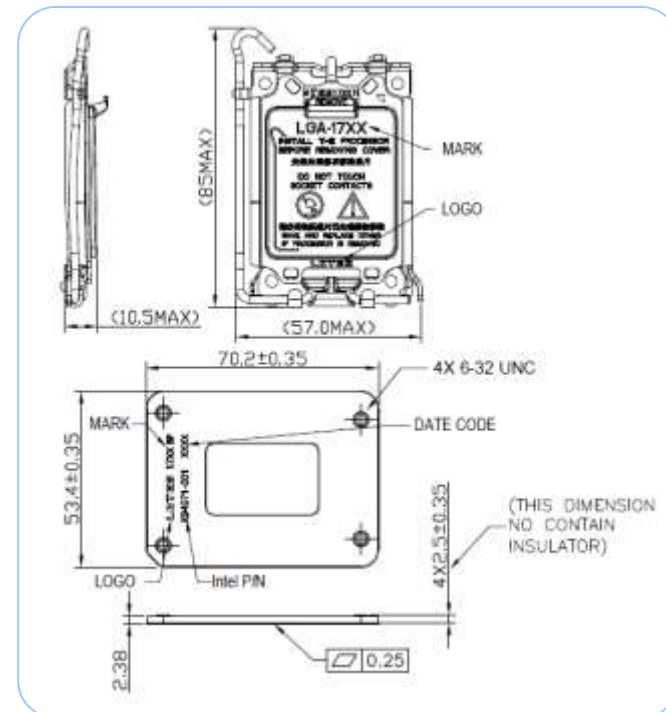
- Operating Temperature:-25°C~105°C

#### Packaging:

- Tray

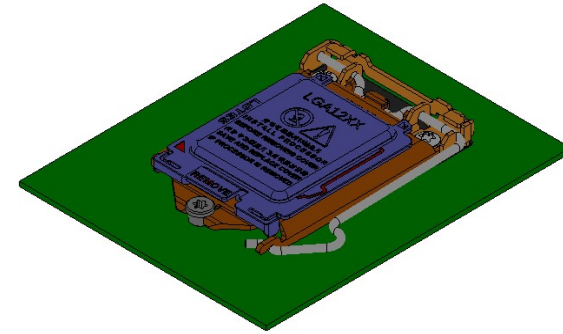
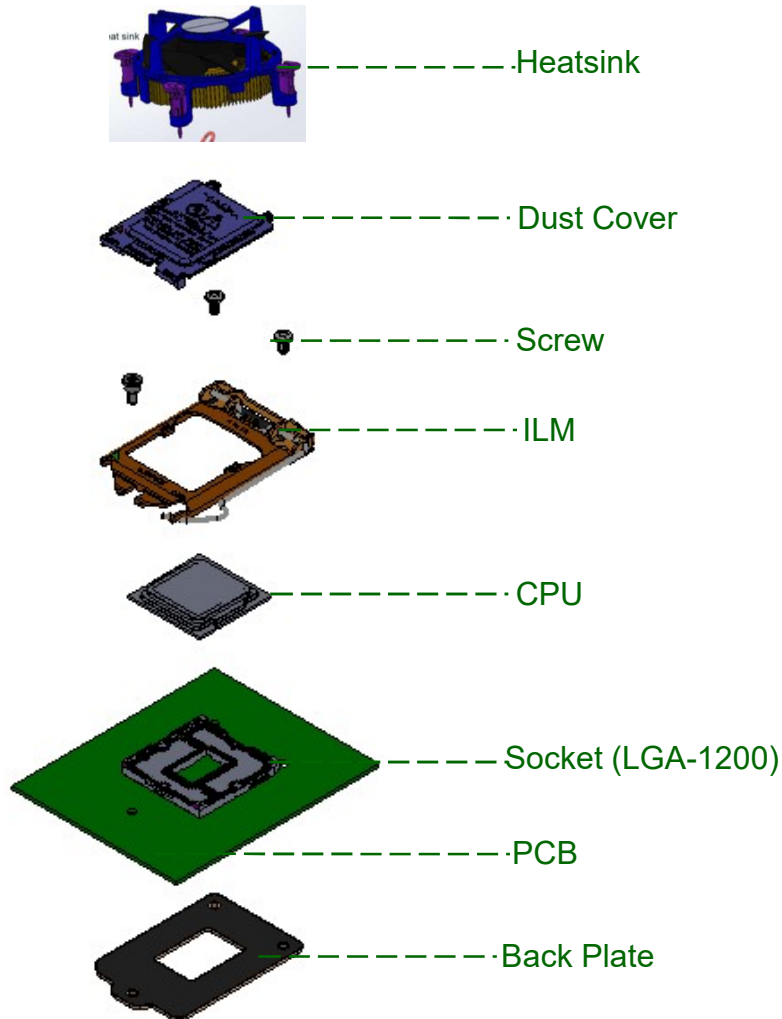
#### Order Information:

- ILM:AZIF0205-P001C
- ILM: AZIF0260-P001C (with dust cover)
- Back Plate: AHSK0045-P001C
- ILM + Back Plate: AZIF0226-P001C
- ILM + Back Plate+COVER: AZIF0239-P001C

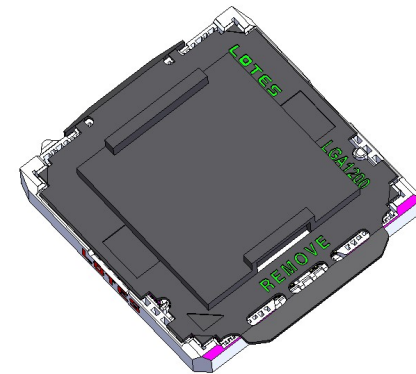


## SKT H5

Product Name: Socket H5(LGA1200 Socket)



Module Assembly



LGA1200 SKT

### Application:

- Desktop



### Features:

- Solder Ball, SMT Soldering
- Land Grid Array at Contact Side

### Specification:

#### Mechanical:

- Pitch: 0.914mm (X) x 0.914mm (Y)
- Contact Count: 1200 Pins
- Durability: 20 Cycles

#### Electrical:

- Current Rating: Max. 0.3A / Pin
- Contact Resistance: Max. 25mΩ (Initial & Final)

#### Physical:

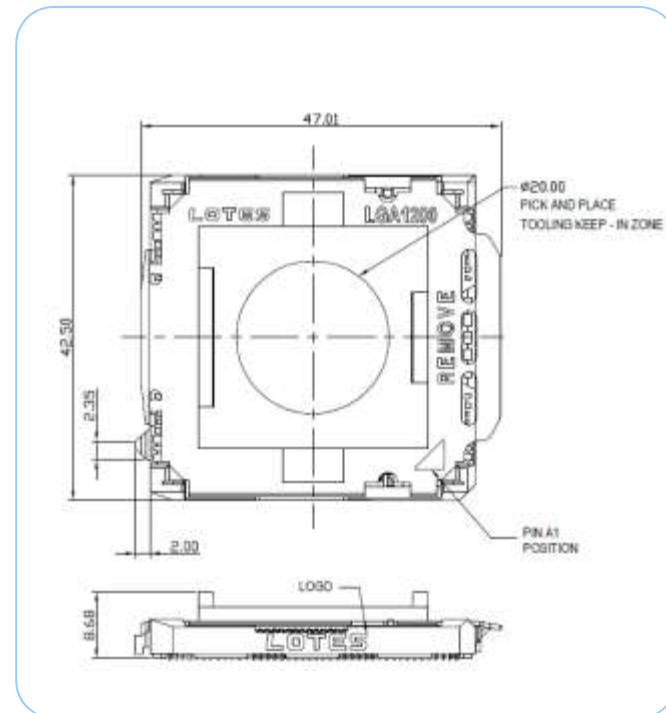
- Housing: LCP, Black, UL 94V-0
- Contact: Copper alloy
- PnP cover: LCP, Black
- Solder Ball: Sn/Ag/Cu
- Plating: Min. 15u" gold plating on contact area
- ILM Frame: Carbon steel
- ILM Load Plate: Carbon steel
- ILM Load Lever: Stainless steel
- Screw / Shoulder Screw: Low carbon steel
- Back Plate: Low carbon steel

#### Packaging:

- Hard tray

#### Order Information:

- CPU SOCKET: AZIF0181-\*\*\* (1200Pin)
- ILM: AZIF0220-P001C (with dust cover)
- Back Plate: AHSK0052-P001C
- ILM + Back Plate: ACA-ZIF-082-K\*\*



### Application:

- Desktop



### Features:

- Solder Ball, SMT Soldering
- Land Grid Array at Contact Side

### Specification:

#### Mechanical:

- Pitch: 0.914mm (X) × 0.914mm (Y)
- Contact Count: 1156/1155/1151/1150 Pins
- Durability: 20 Cycles

#### Electrical:

- Current Rating: Max. 0.3A / Pin
- Contact Resistance: Max. 25mΩ (Initial & Final)

#### Physical:

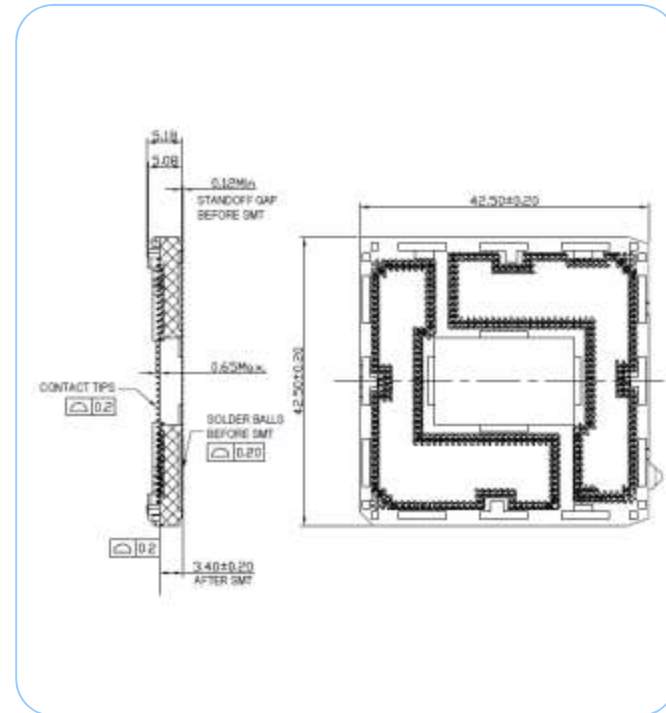
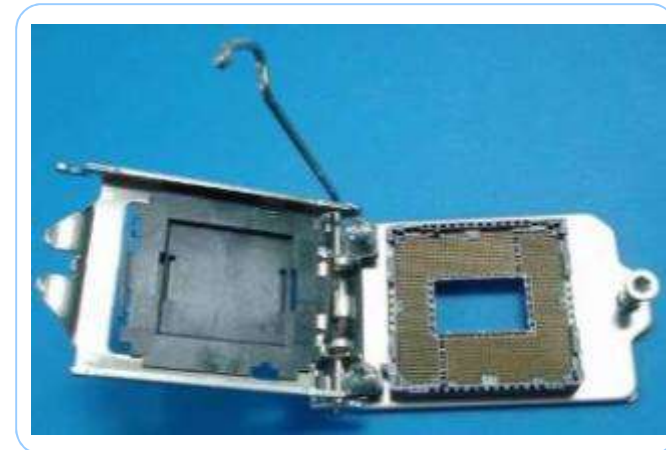
- Housing: LCP, Black, UL 94V-0
- Contact: Copper alloy
- ILM Frame: Low carbon steel
- ILM Load Plate Lever: Stainless steel
- Screw / Shoulder Screw: Low carbon steel
- Back Plate: Low carbon steel
- Solder Ball: SnAgCu
- PnP Cap: LCP, Black
- Plating: Min. 15u" gold plating on contact area
- Operating Temperature: -25°C ~ 105°C

#### Packaging:

- Hard tray

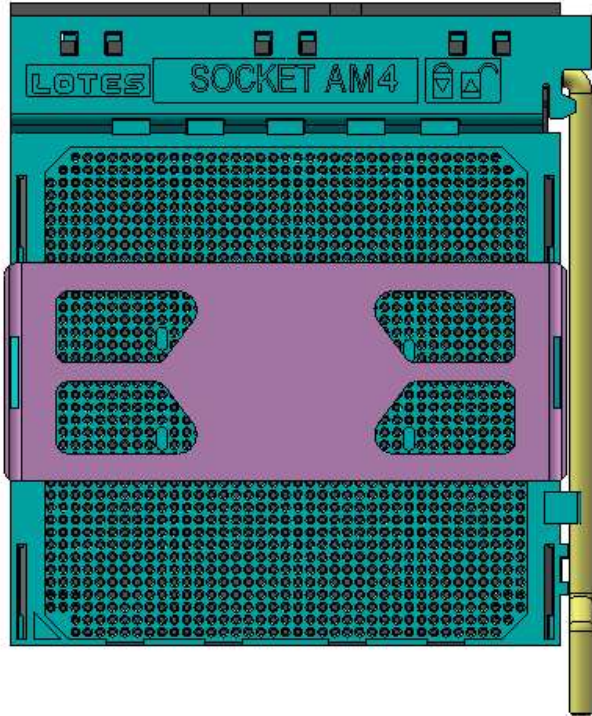
#### Order Information:

- CPU Socket: ACA-ZIF-068-\*\*\*(1156Pin) ; ACA-ZIF-096-\*\*\*(1155Pin)  
ACA-ZIF-138-\*\*\*(1150Pin); AZIF0049-\*\*\*(1151Pin)
- ILM: ACA-ZIF-078-Y28 (with dust cover)
- Back Plate: DCA-HSK-144-Y09
- ILM + Back Plate: ACA-ZIF-082-K\*\*

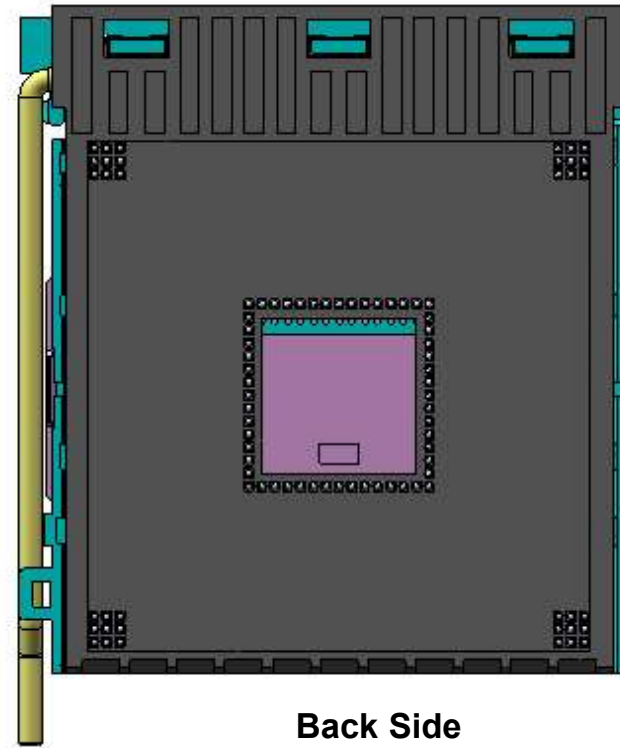


## AM4

Product Name: Socket AM4(BGA Socket)



Front Side



Back Side



**Application:**

- Desktop, Server

**Features:**

- Solder ball, SMT soldering

**Specification:**

**Mechanical:**

- Pitch: 1.00mm (X) × 1.00mm (Y)
- Contact Count: 1331Pin

**Electrical:**

- Current Rating: Max. 1.5A / Pin
- Insulation Resistance: Min. 1000MΩ/ DC 100V/2 minutes
- Contact Resistance: Max. 17mΩ

**Physical:**

- Housing: LCP, Black, UL 94V-0
- Cover: LCP, Natural/Black
- Contact: Phosphor bronze
- Load Lever Arm: Stainless steel
- Pick up Cap: LCP, Black
- Solder Ball: Sn/Ag/Cu
- Plating on contact area: Min. 10u" gold plating on contact area / Gold flash, Min./15u" gold plating

**Environment:**

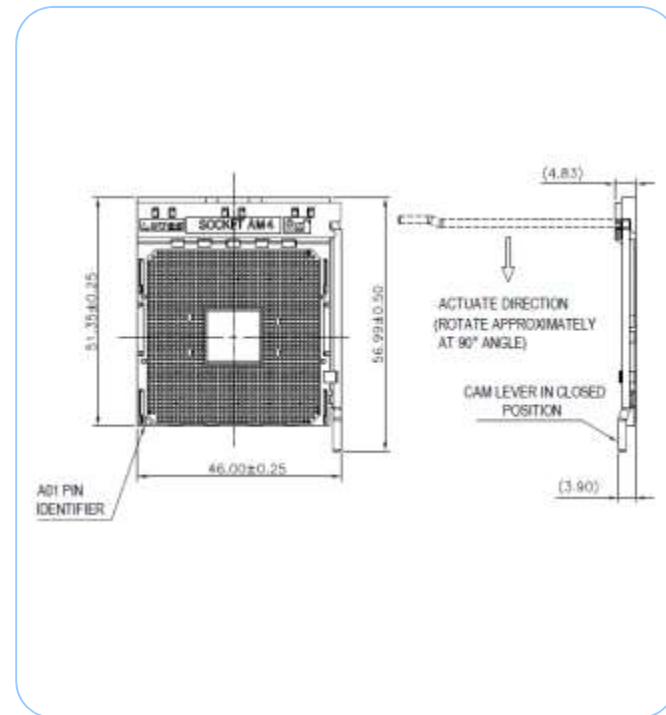
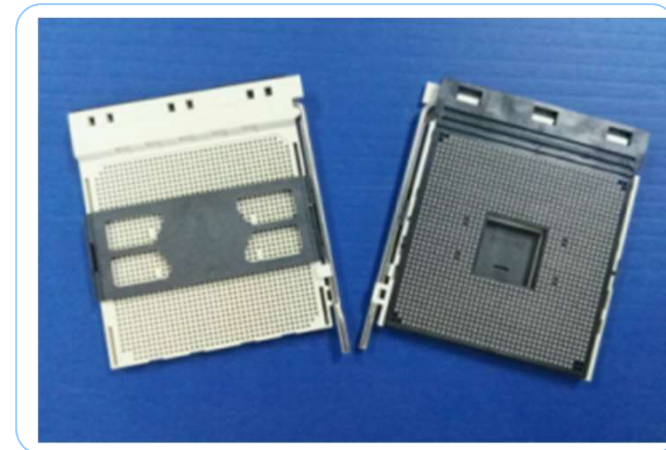
- Operating Temperature: -55°C~110°C

**Packaging:**

- Hard tray

**Order Information:**

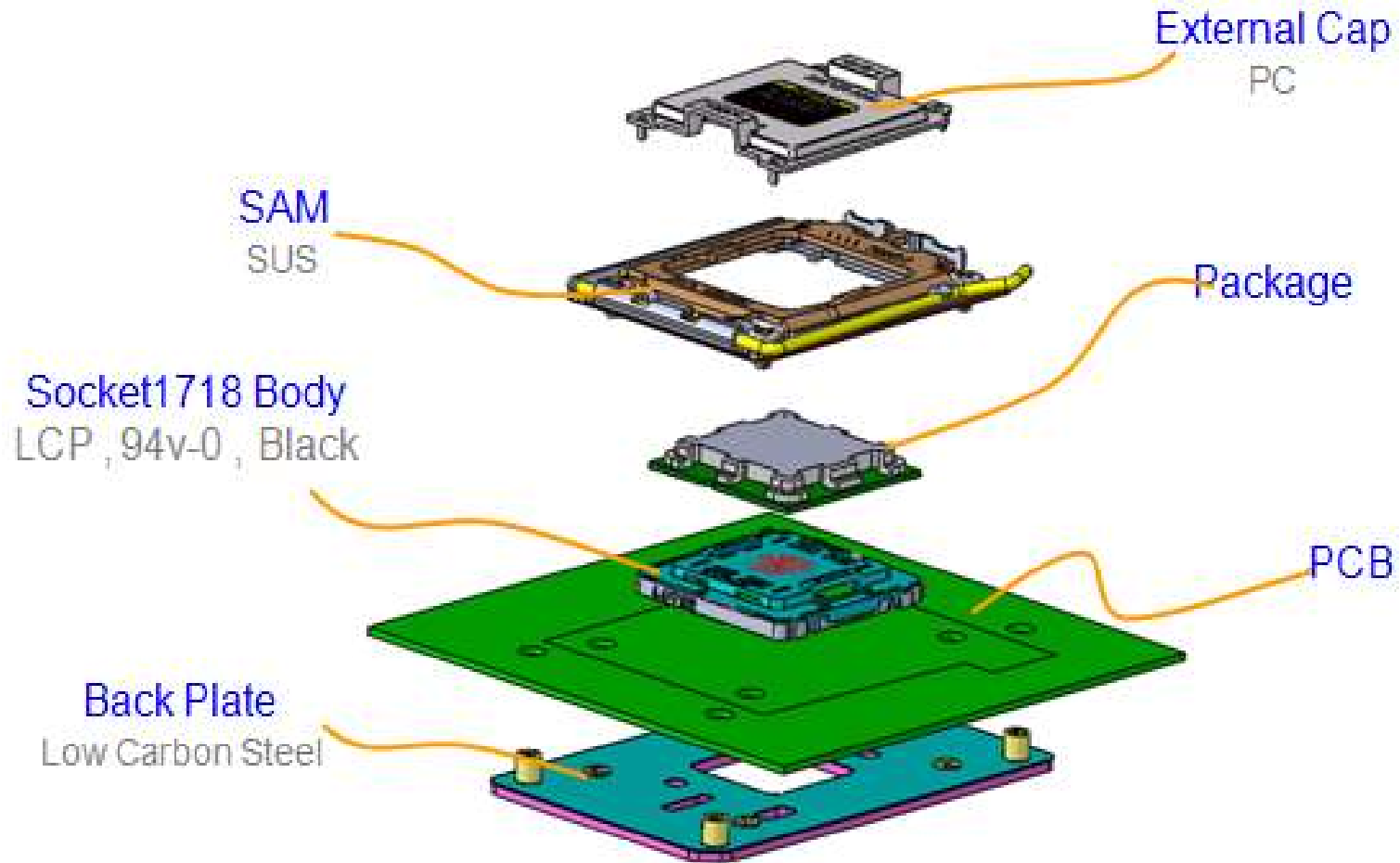
- AZIF0068-P001C/P002C/P003C (WHITE COVER)
- AZIF0068-P005C/P006C/P007C (BLACK COVER)





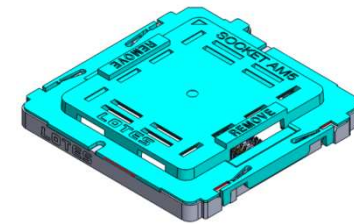
## SKT AM5

Product Name: Socket AM5(LGA1718 Socket)



**Features and benefits:**

- Solder ball, SMT soldering
- Land grid array at contact side
- Can be used on Server platform by matching corresponding back plate.



**Specifications:**

**Mechanical:**

- Pitch: 0.81mm (X) x 0.94mm (Y)
- Contact count: 1718 Pins.
- Durability: 50 Cycles

**Electrical:**

- Current Rating: 1.4A max per OLGA package land pad
- Contact Resistance: 40mOhm max.
- Dielectric withstanding voltage:650Vac.
- Insulation resistance:1000MΩ

**Physical:**

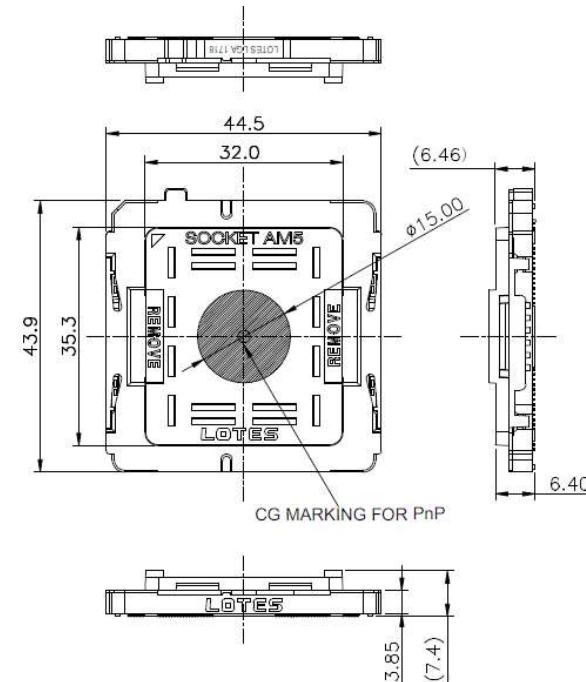
- Housing: LCP, Black, UL 94V-0
- Contact: Copper alloy
- Solder ball: SnAgCu
- PnP cover: LCP, Black
- Plating on contact area: Au plating
- Operating Temperature: -25°C to+100°C

**Packaging:**

- Hard tray

**Order information:**

- CPU Socket : See assembly part number table



**Application:**

- Desktop computer

**Features:**

- LGA1718P SAM for AMD

**Specification:**

**Mechanical:**

- Assembly torque: (10.3±1kgf-cm) , Confirm collar is fully seated on PCB

**Physical :**

- Dust cover: pc,ul94-v2 , transparent
- Load plate: stainless steel
- Stiffener frame: stainless steel
- Lever: stainless steel
- 6-32 screw: carbon steel, nickel plating
- Collar: stainless steel
- Stiffener insulator: thermoplastic,ul94vtm-0,black
- External cap label: yellow silicone paper

**Environment :**

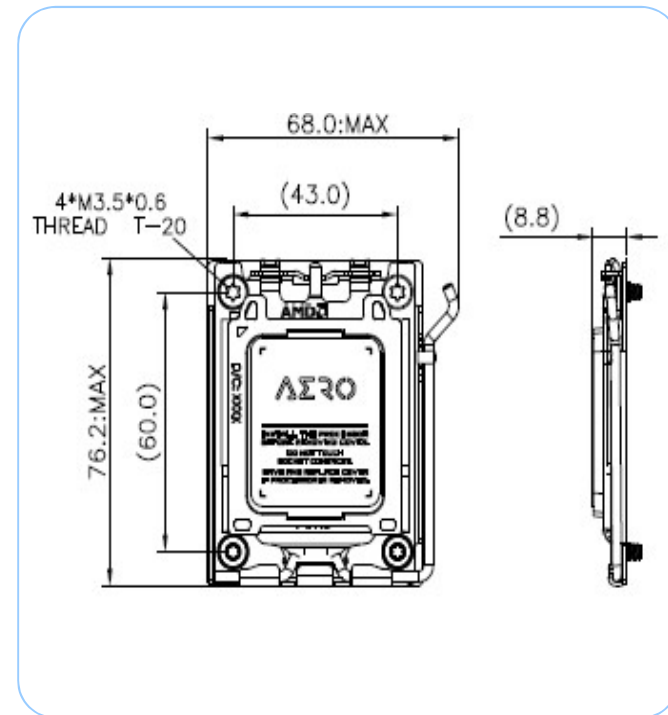
- Operating Temperature:-25°C~100°C
- Continuous Temperature:0 °C~85°C
- HF Compliant

**Packaging:**

- Tray

**Order Information:**

- AZIF0002-P00\*C



**Application:**

- Desktop computer

**Features:**

- LGA1718P BP for AMD

**Specification:**

**Mechanical:**

- Assembly torque: (10.3±1kgf-cm) , Confirm collar is fully seated on PCB

**Physical :**

- BP heat sink nut: stainless steel
- BP nut: stainless steel
- BP insulator: thermoplastic,ul94vtm-0,black
- Back plate : carbon steel nickel plating

**Environment :**

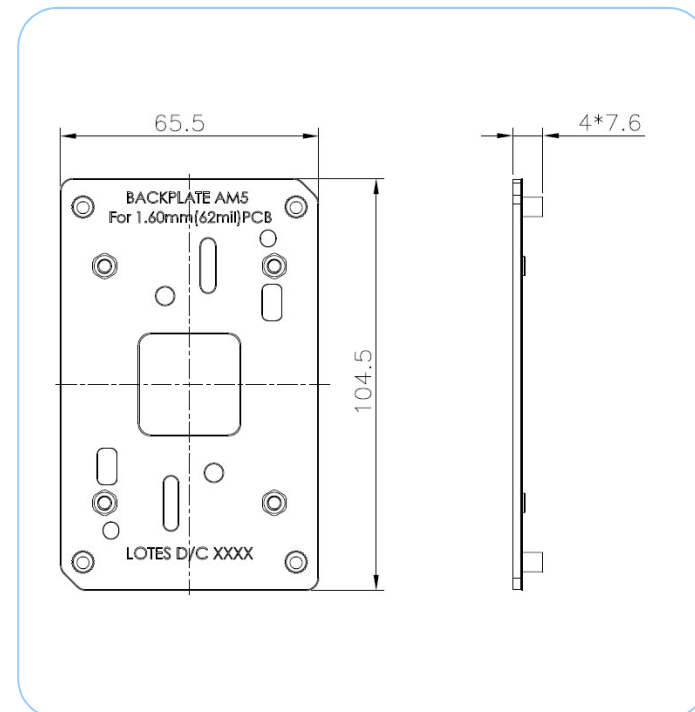
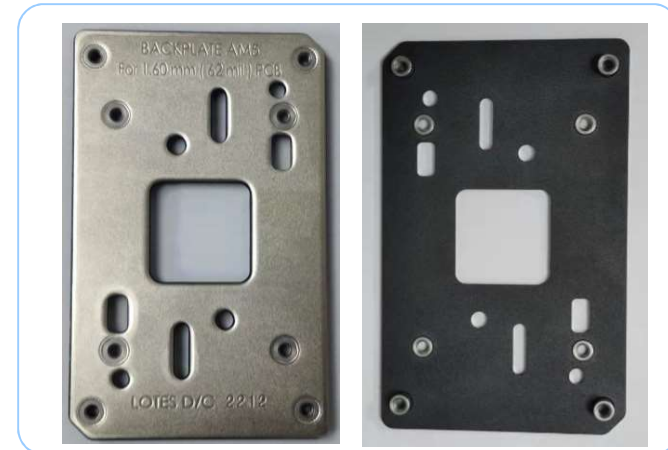
- Operating Temperature:-25°C~100°C
- Continuous Temperature:0°C~85°C
- HF Compliant

**Packaging:**

- Tray

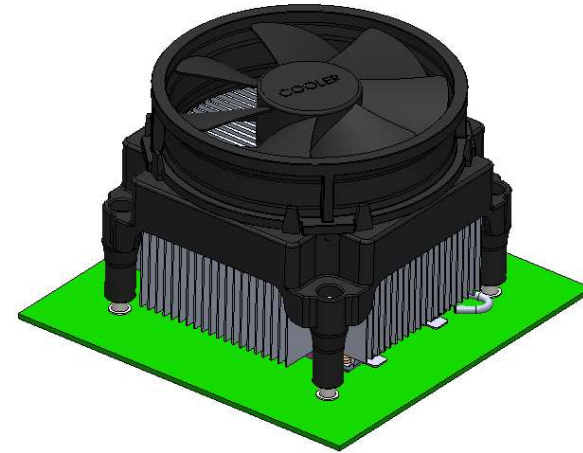
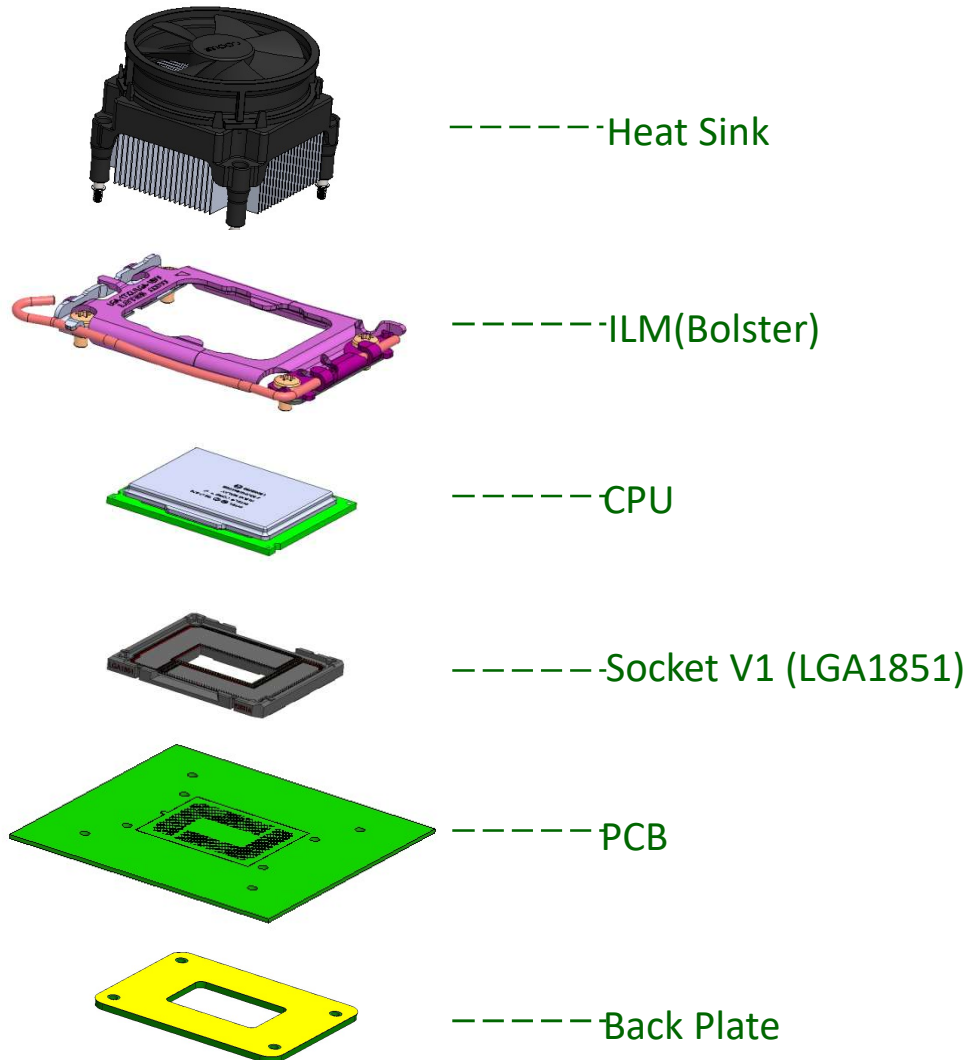
**Order Information:**

- AHSK0001-P001C

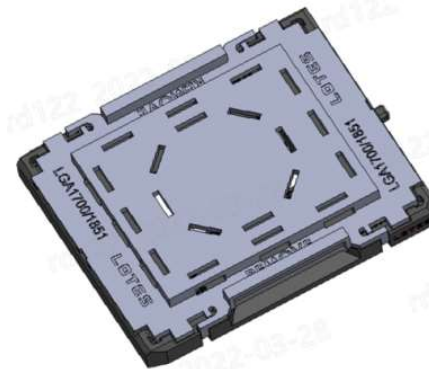


## SKT V1

Product Name: Socket V1(LGA1851 Socket)



Module Assembly



LGA1851 SKT



**Application:**

- Desktop



**Features:**

- Solder Ball, SMT Soldering
- Land Grid Array at Contact Side
- Can be used on Desktop platform by matching corresponding back plate.

**Specification:**

**Mechanical:**

- Pitch: 0.80mm (X) x 0.80mm (Y)
- Contact Count: 1851 Pins
- Durability: 30 Cycles

**Electrical:**

- Contact Resistance (Average): 27mOhm max.
- HF: 32Gbps

**Physical:**

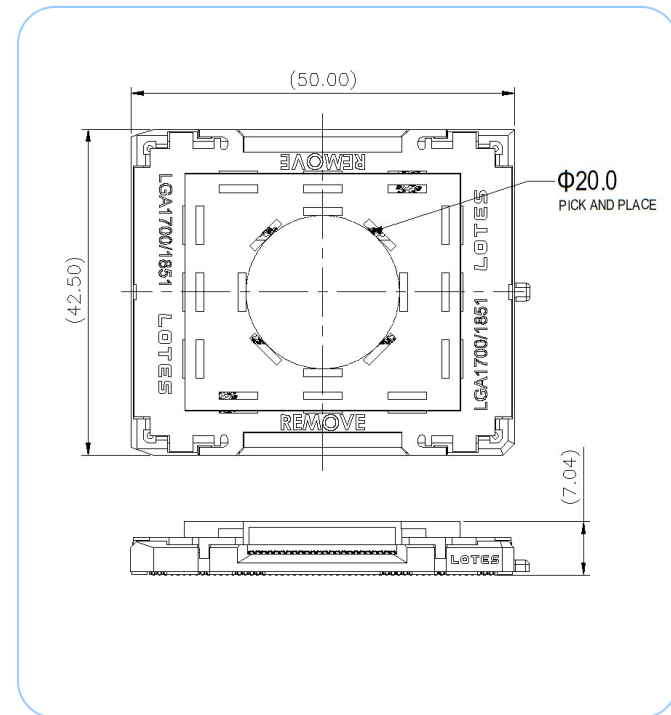
- Housing: LCP, Black, UL 94V-0
- Contact: Copper alloy
- Solder ball: Sn/Ag/Cu
- PnP cover: LCP, Black
- Plating on contact area: 15u"min. Au plating

**Packaging:**

- Hard tray

**Order Information:**

- CPU Socket: AZIFA096-P00\*



**Application:**

- Desktop

**Features:**

- For Socket 1851 (SKT

**Specification:**

**Mechanical:**

- Durability: 20 Cycles

**Physical :**

- Load Lever Arm:Stainl
- Load Plate:Stainless s
- Screw Screw:Low cark
- Hinge Frame:S50C,Nic
- Lever Frame:S50C,Nic
- Back Plate:S50C,Nick
- Load plate frame insul:
- Hinge frame insulator:t
- Lever frame insulator:t
- Back plate insulator:th
- Dust cover:PC+ABS,g

**Environment :**

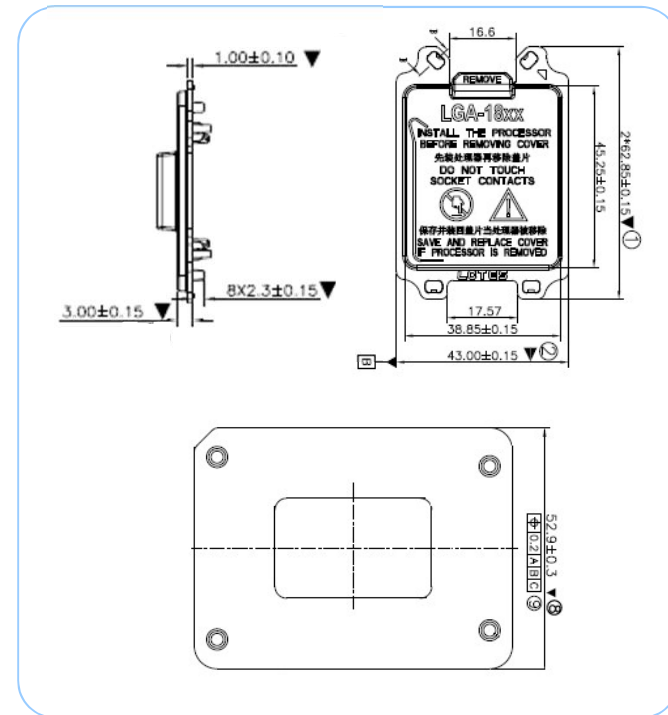
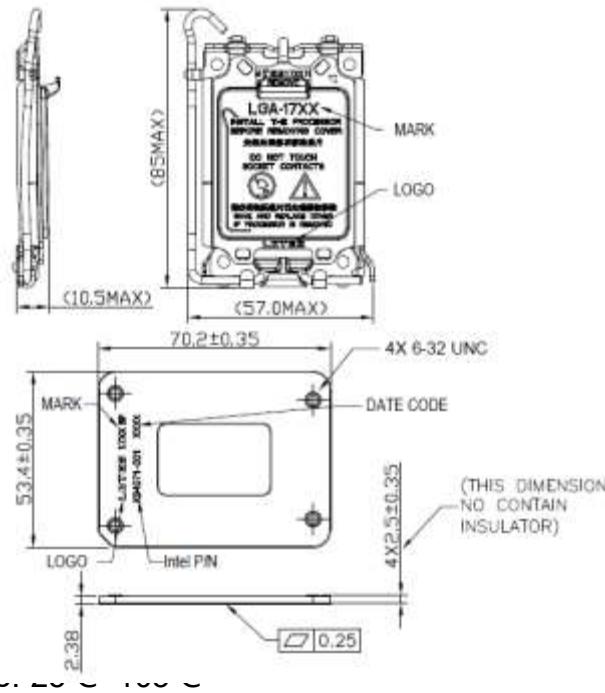
- Operating Temperature: 20 ~ 100 °C

**Packaging:**

- Tray

**Order Information:**

- ILM:AZIF0205-P001C
- ILM: AZIF0260-P001C (with dust cover)
- Back Plate: AHSK0045-P001C
- ILM + Back Plate: AZIF0226-P001C
- ILM + Back Plate+COVER: AZIF0239-P001C



# THE END

