



WPF2001 Series

Waterproof Connectors system



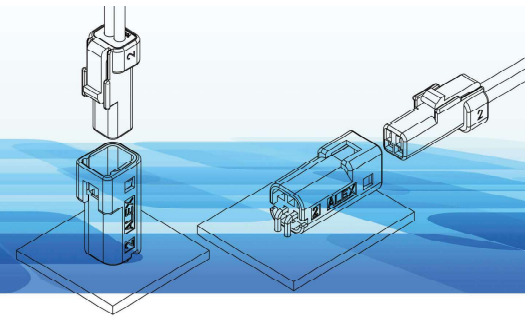
2.00mm pitch Wire-to-Board Connectors

QUALITY • TECHNICS • SERVICE



WPF2001 Series

Waterproof Wire-to-Board system



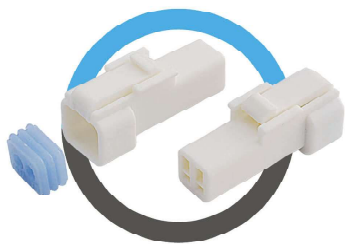
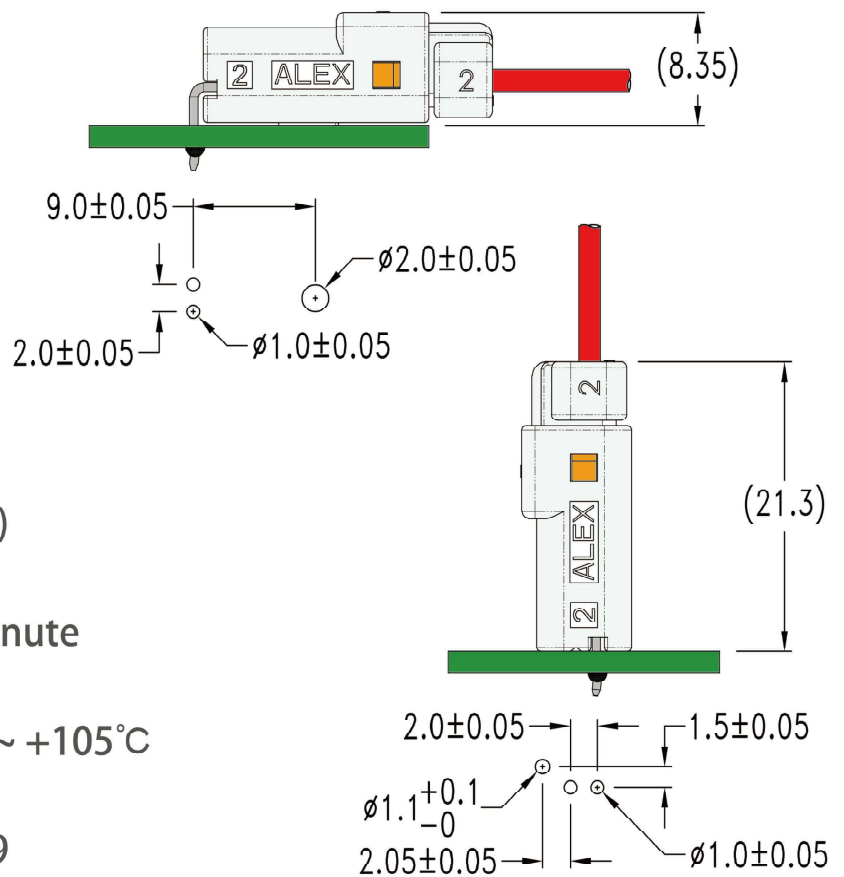
Product Introduction

- 2.0mm pitch Wire-to-Board
- Housing-to-terminal locks
- Waterproof performance
- With seal ring & rubber seal
- Inner-housing lock
- Header for use specifically with resin coated PC board

Product Specifications

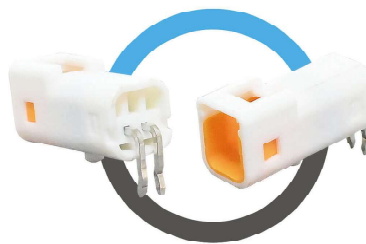
- Current rating: 3A AC, DC (AWG #22)
- Voltage rating: 250V AC, DC
- Withstanding voltage: 1500V AC/minute
- Insulation resistance: 1000MΩ min.
- Ambient temperature range: -40°C ~ +105°C (Including temperature rise)
- Waterproof grade: IPX7 of IEC 60529

PC board & Assembly Layout



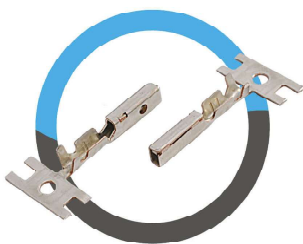
WPF2001H-02R

- PBT, UL 94V-0
- Accepts ALEX WPF2001T-R Terminal
- Mates with ALEX WPF2001W-02RA & SA



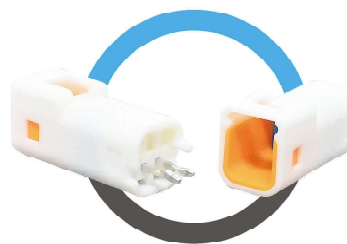
WPF2001W-02RA

- PBT, UL 94V-0
- 0.625mm square pin
- Brass / Tin-plated
- Mates with ALEX WPF2001H-02R Housing



WPF2001T-R

- Phosphor bronze / Tin-plated
- Used in ALEX WPF2001H-xxR housing
- Applicable Wire: AWG #26 to #22
- Insulation O.D./ 1.35 to 1.7mm



WPF2001W-02SA

- PBT, UL 94V-0
- 0.625mm square pin
- Brass / Tin-plated
- Mates with ALEX WPF2001H-02R Housing